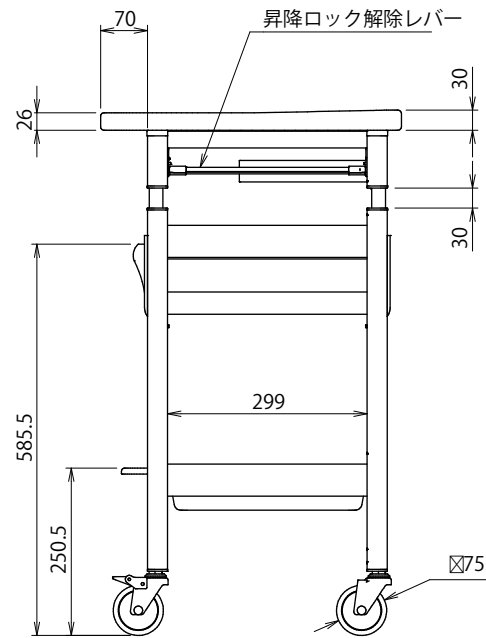
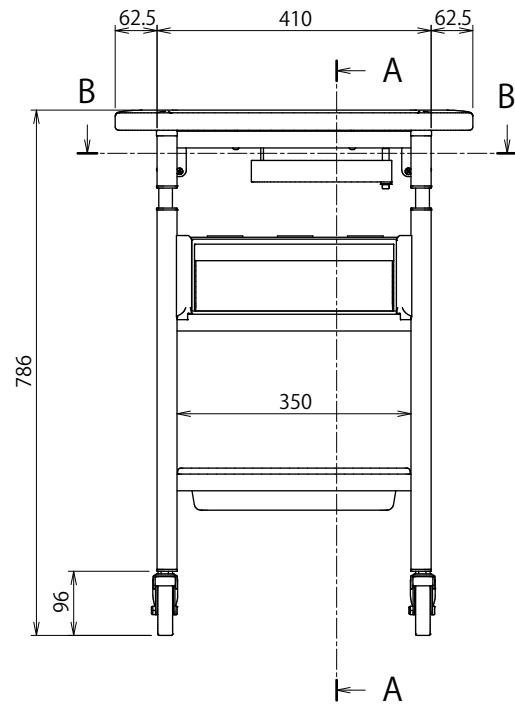
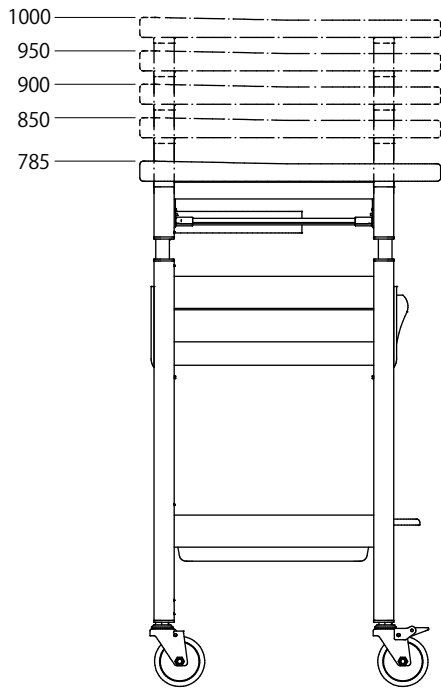
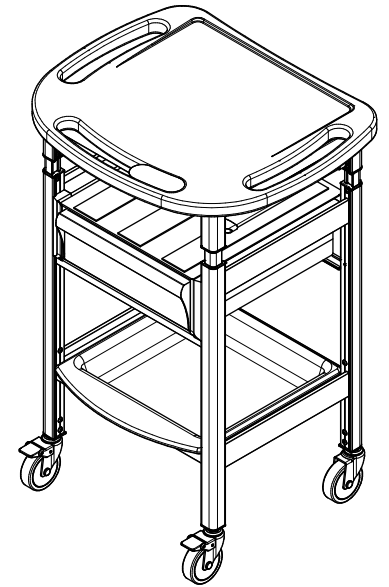
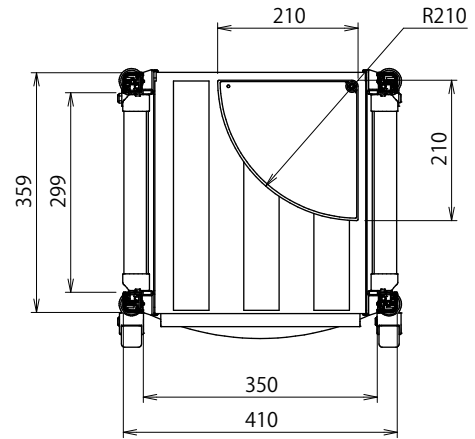


B-B (1:8)



A-A (1:8)

