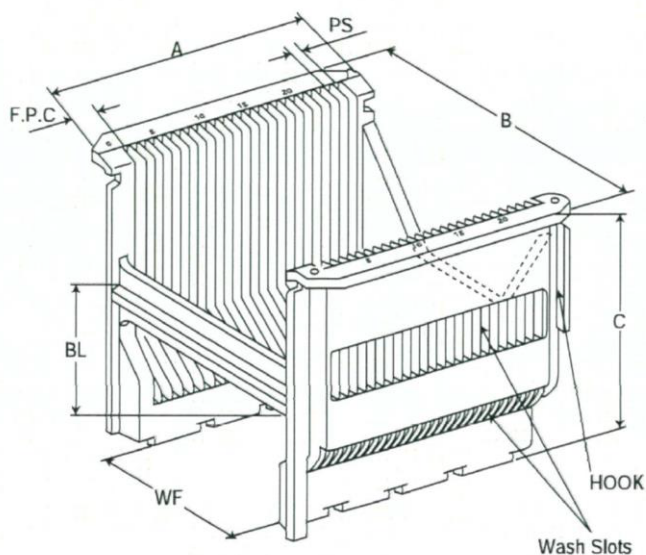


## ■外観図



寸法表

(単位：mm)

| コード      | 型番       | A      | B      | C      | F P C | B L    | W F    | P S  | P F  |
|----------|----------|--------|--------|--------|-------|--------|--------|------|------|
| 7-177-01 | KM-20    | 142.10 | 67.80  | 59.00  | 13.90 | 37.80  | 34.00  | 4.76 | 1.30 |
| 7-177-02 | KM-25    | 142.24 | 78.00  | 73.20  | 13.97 | 48.60  | 48.60  | 4.76 | 1.60 |
| 7-177-03 | KM-25-51 | 142.24 | 77.00  | 73.20  | 13.97 | 48.50  | 48.50  | 2.38 | 0.70 |
| 7-177-04 | KM-30    | 142.25 | 93.60  | 83.00  | 13.90 | 62.50  | 38.50  | 4.76 | 1.60 |
| 7-177-05 | KM-30N   | 142.24 | 102.80 | 82.60  | 13.97 | 62.00  | 38.90  | 4.76 | 1.40 |
| 7-177-06 | KM-40N   | 142.24 | 125.50 | 114.30 | 13.97 | 61.00  | 61.00  | 4.76 | 1.55 |
| 7-177-07 | KM-40MBF | 142.24 | 125.50 | 114.30 | 13.97 | 87.00  | 61.90  | 4.76 | 1.52 |
| 7-177-08 | KM-40NA  | 142.24 | 125.50 | 114.30 | 13.97 | -      | 61.00  | 4.76 | 1.60 |
| 7-177-09 | KM-50NA  | 142.24 | 153.00 | 145.50 | 13.97 | -      | 76.20  | 4.76 | 1.60 |
| 7-177-10 | KM-60NA  | 142.24 | 187.00 | 165.00 | 13.97 | -      | 89.00  | 4.76 | 1.60 |
| 7-177-11 | KM-80NA  | 152.40 | 250.00 | 220.00 | 19.05 | -      | 120.00 | 4.76 | 1.60 |
| 7-177-12 | KM-50NM  | 142.24 | 153.00 | 146.00 | 13.97 | 108.36 | 108.00 | 4.76 | 1.60 |
| 7-177-13 | 50MASK   | 142.10 | 68.00  | 70.00  | 13.97 | 39.80  | 36.70  | 4.76 | 0.80 |
| 7-177-14 | 60MASK   | 150.00 | 78.00  | 57.00  | -     | -      | 47.00  | 4.76 | 2.00 |
| 7-177-15 | 100MASK  | 155.95 | 125.00 | 78.00  | -     | -      | 85.00  | 6.35 | 3.00 |
| 7-177-16 | 125MASK  | 158.00 | 153.00 | 115.00 | -     | -      | 85.00  | 6.35 | 3.00 |
| 7-177-18 | AM-100   | 142.24 | 125.50 | 120.00 | 13.97 | 62.00  | 62.00  | 4.76 | 1.50 |
| 7-177-19 | K-15     | 151.00 | 58.00  | 45.50  | -     | -      | 24.00  | 4.76 | 2.00 |
| 7-177-20 | K-20     | 150.00 | 67.00  | 54.00  | -     | -      | 31.00  | 4.75 | 1.20 |
| 7-177-21 | K-30     | 154.00 | 92.50  | 83.20  | -     | -      | 49.00  | 4.75 | 1.80 |
| 7-177-22 | K-30-52  | 152.00 | 93.60  | 83.00  | -     | -      | 38.50  | 2.38 | 0.70 |
| 7-177-23 | K-40     | 155.00 | 124.00 | 112.00 | -     | -      | 60.30  | 4.76 | 1.76 |
| 7-177-24 | K-40-52  | 155.00 | 120.00 | 115.00 | -     | -      | 72.00  | 2.38 | 0.60 |
| 7-177-26 | KM-60PA2 | 142.24 | 187.00 | 165.00 | 13.97 | 128.40 | 89.00  | 4.76 | 1.60 |
| 7-177-27 | KM-50PN  | 142.24 | 153.00 | 145.50 | 13.97 | 107.30 | 76.20  | 4.76 | 1.60 |
| 7-177-28 | KM-30P   | 142.24 | 94.00  | 82.00  | 13.97 | 62.50  | 38.50  | 4.76 | 1.60 |

※PF = 溝底巾

※上記は設計値であり、寸法公差については別途確認願います

ハンドル適合表

対応ウェーハ

| コード      | 型番       | HM type | コード      | HS type | コード      | H type | コード      | インチ | ミリ  |
|----------|----------|---------|----------|---------|----------|--------|----------|-----|-----|
| 7-177-01 | KM-20    | HM-20   | 7-178-01 | -       | -        | -      | -        | 2   | -   |
| 7-177-02 | KM-25    | HM-25   | 7-178-02 | HS-25   | -        | -      | -        | 2.5 | -   |
| 7-177-03 | KM-25-51 | HM-25   | 7-178-02 | -       | -        | -      | -        | 2.5 | -   |
| 7-177-04 | KM-30    | HM-30   | 7-178-03 | HS-30   | 7-178-06 | -      | -        | 3   | -   |
| 7-177-05 | KM-30N   | HM-30   | 7-178-03 | HS-30   | 7-178-06 | -      | -        | 3   | -   |
| 7-177-06 | KM-40N   | HM-40   | 7-178-04 | HS-40   | 7-178-07 | -      | -        | 4   | -   |
| 7-177-07 | KM-40MBF | HM-40   | 7-178-04 | -       | -        | -      | -        | 4   | -   |
| 7-177-08 | KM-40NA  | HM-40   | 7-178-04 | -       | -        | -      | -        | 4   | -   |
| 7-177-09 | KM-50NA  | HM-50   | 7-178-05 | -       | -        | -      | -        | 5   | -   |
| 7-177-10 | KM-60NA  | HM-60   | 7-178-13 | -       | -        | -      | -        | 6   | -   |
| 7-177-12 | KM-50NM  | HM-50   | 7-178-05 | -       | -        | -      | -        | 5   | -   |
| 7-177-13 | 50MASK   | HM-20   | 7-178-01 | -       | -        | -      | -        | -   | 50  |
| 7-177-14 | 60MASK   | -       | -        | -       | -        | H-01   | 7-177-25 | -   | 60  |
| 7-177-15 | 100MASK  | -       | -        | -       | -        | H-01   | 7-177-25 | -   | 100 |
| 7-177-16 | 125MASK  | -       | -        | -       | -        | H-01   | 7-177-25 | -   | 125 |
| 7-177-18 | AM-100   | HM-40   | 7-178-04 | -       | -        | -      | -        | -   | 100 |
| 7-177-19 | K-15     | -       | -        | -       | -        | H-01   | 7-177-25 | 1.5 | -   |
| 7-177-20 | K-20     | -       | -        | -       | -        | H-01   | 7-177-25 | 2   | -   |
| 7-177-21 | K-30     | -       | -        | -       | -        | H-01   | 7-177-25 | 3   | -   |
| 7-177-22 | K-30-52  | -       | -        | -       | -        | H-01   | 7-177-25 | 3   | -   |
| 7-177-23 | K-40     | -       | -        | -       | -        | H-01   | 7-177-25 | 4   | -   |
| 7-177-24 | K-40-52  | -       | -        | -       | -        | H-01   | 7-177-25 | 4   | -   |
| 7-177-26 | KM-60PA2 | HM-60   | 7-178-13 | -       | -        | -      | -        | 6   | -   |
| 7-177-27 | KM-50PN  | HM-50   | 7-178-05 | -       | -        | -      | -        | 5   | -   |