



# 58430

©2022 Bestway Inflatables & Material Corp.

All rights reserved/Tous droits réservés/Todos los derechos reservados/Alle Rechte vorbehalten/Tutti i diritti riservati

Trademarks used in some countries under license from/

Marques utilisées dans certains pays sous la licence de/

Marcas comerciales utilizadas en algunos países bajo la licencia de/

Die Warenzeichen werden in einigen Ländern verwendet unter Lizenz der/

Marchi utilizzati in alcuni paesi concessi in licenza a

**Bestway Inflatables & Material Corp., Shanghai, China**

Manufactured, distributed and represented in the European Union by/

Fabriqués, distribués et représentés dans l'Union Européenne par/Fabricado, distribuido y representado en la Unión Europea por/

Hergestellt, vertrieben und in der Europäischen Union vertreten von/Prodotto, distribuito e rappresentato nell'Unione Europea da

**Bestway Europe S.p.a., Via Resistenza, 5, 20098 San Giuliano Milanese (Milano), Italy**

Distributed in Latin America by/Distribué en Amérique latine par/Distribuido en Latinoamérica por/Distribuido na América Latina por

**Bestway Central & South America Ltda, Salar Ascotan 1282, Parque Enea, Pudahuel, Santiago, Chile**

Distributed in Australia & New Zealand by **Bestway Australia Pty Ltd, Unit 2/98-104 Camarvon St Silverwater, NSW 2128, Australia**

Tel: Australia: (+61) 2 9037 1388; New Zealand: 0800 142 101

Distributed in United Kingdom by **Bestway Corp UK Ltd, 8 Wentworth Road, Heathfield Industrial Estate, Newton Abbot, Devon, TQ12 6TL**

Exported by/Exporté par/Exportado por/Exportiert von/Esportato da

**Bestway (Hong Kong) International Ltd./Bestway Enterprise Company Limited**

Suite 713, 7/Floor, East Wing, Tsim Sha Tsui Centre, 66 Mody Road, Kowloon, Hong Kong

[www.bestwaycorp.com](http://www.bestwaycorp.com)

## 84cm (33") Pool Ladder Model: 58430 OWNER'S MANUAL

Read all the instructions before assembling / using the ladder.

### WARNING

Locate ladder on a solid base.

Only one person should use the ladder at a time.

The ladder shall be installed per manufacturer's instructions.

When entering/exiting the pool, face the ladder at all times.

Secure ladder when the pool is not occupied or there is no adult.

No person should ever attempt to dive from ladder, pool side, or nearby object.

The ladder should only be placed in the pool when proper adult supervision is present and attentive.

Pool users should swim and play away from ladder area. Ladder may cause injury to pool users if not regarded as a potential hazard.

Always check ladder assembly screws and retention clips, splinters or any sharp edges before use.

Monitor bolts and keep them away from children.

This ladder is designed to be used in the pool for entering / exiting. Do not use the ladder for any other purpose.

Keep all small ladder parts out of the reach of children.

The ladder is not a toy, use caution when using.

Ignoring maintenance requirements may result in serious health risks, especially for children.


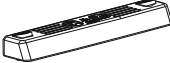

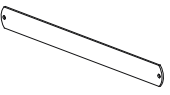
### SPECIFICATION

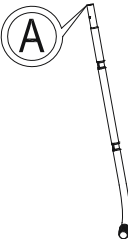
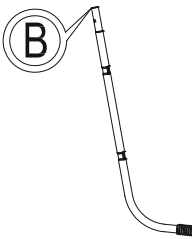
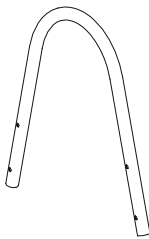
Maximum load weight: 150kg (330lbs).

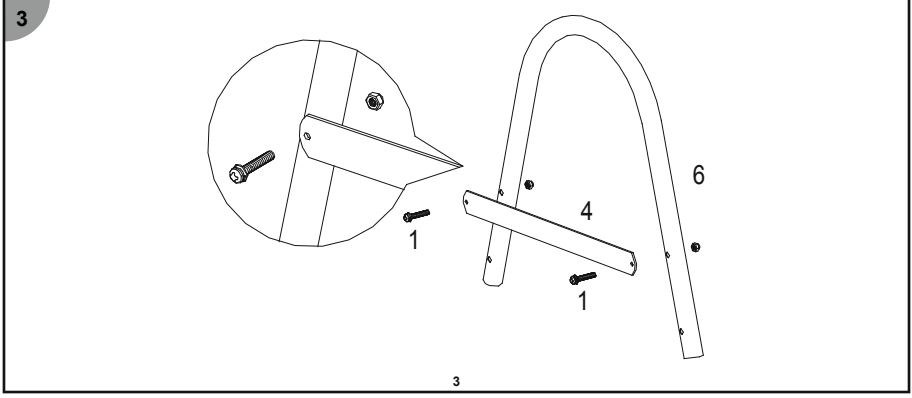
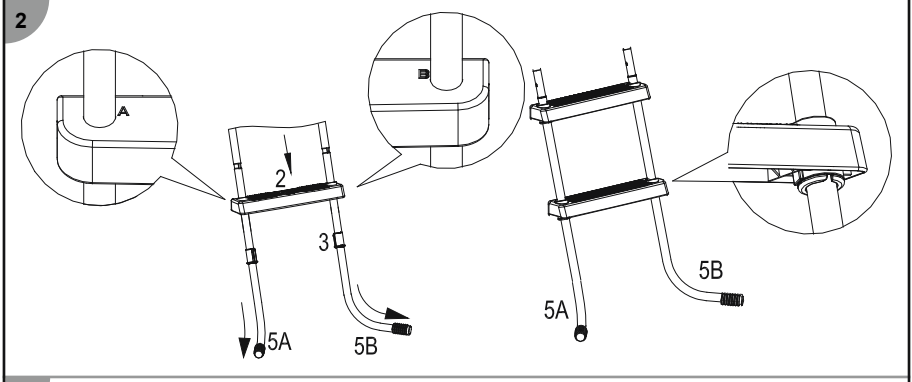
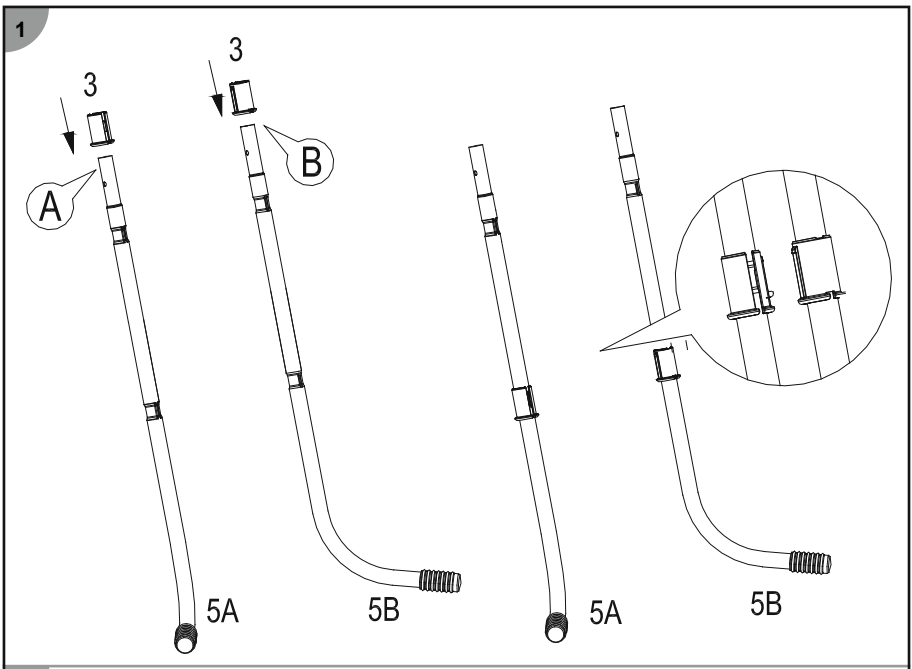
The ladder is designed and manufactured for maximum 84cm (33") wall height and 30cm (11.8") wall width pools.

**Note:** Ladder assembly requires a crosshead screwdriver or an adjustable wrench.

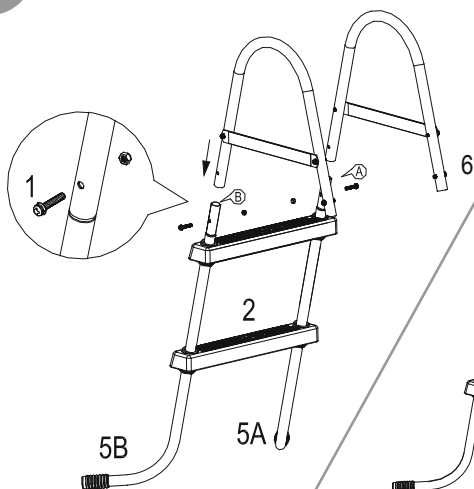
**Note:** Drawings for illustration purpose only. May not reflect actual product. Not to scale.

|   |   |   |   |
|---|---|---|---|
| <b>1</b>  | <b>2</b>  | <b>3</b>  | <b>4</b>  |
|  |  |  |  |
| ×8  | ×4  | ×8  | ×2  |
| P6078   | P61143  | P61145  | P6867   |
| P6078   | P6H1143   | P6H1145   | P6H1253   |

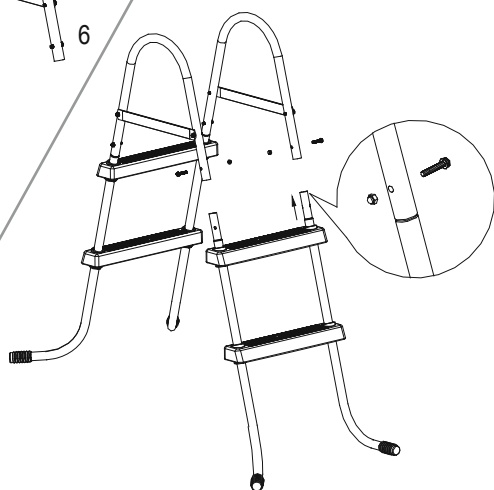
|   |   |   |
|---|---|---|
| <b>5A</b>   | <b>5B</b>   | <b>6</b>  |
|  |  |  |
| ×2  | ×2  | ×2  |
| P61489  | P61490  | P6868   |
| P6H1489   | P6H1490   | P6(H1)868   |



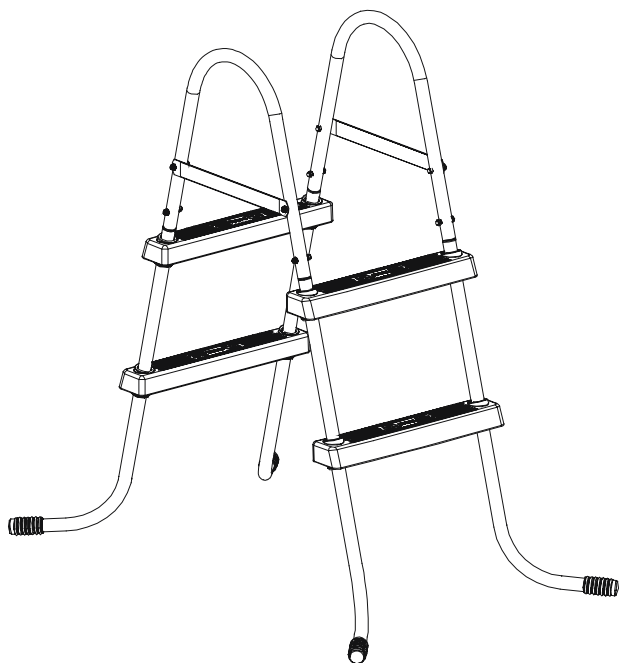
4



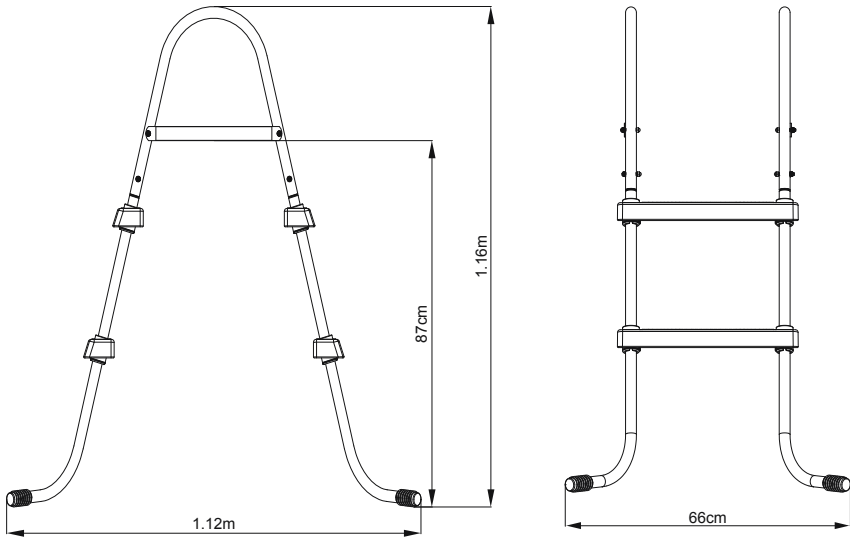
5



6



**Overall dimension**



**Maintenance and Storage**

1. Always remember to check ladder before each use, change screws and retention clips if there is any rust.
2. Make sure the ladder is clean and dry before storing.
3. Keep out of children's reach.

**Winterization**

We strongly recommend the pool ladder is removed from the swimming pool during the off season (winter months). Carefully disassemble all the components and dry thoroughly. Store in a dry location out of children's reach.

**Please read carefully and keep for future reference.**

-EN 16582.

-Unsecured means of access

For information concerning product questions, please visit our website at: [www.bestwaycorp.com](http://www.bestwaycorp.com).



**DANGER**

**NO DIVING OR JUMPING  
SHALLOW WATER**

**DIVING MAY RESULT IN PERMANENT INJURY OR DEATH**



- Be Safe. Swim with a friend.
- Children must be accompanied by an adult
- Don't swim when using alcohol or drugs.
- Be familiar with the pool before swimming.
- No running, jumping, or horseplay in or around pool.
- No glass in pool area.



**TO AVOID SERIOUS INJURY ALL POOL USERS MUST KNOW AND FOLLOW THESE SAFETY RULES.**

**POST THIS WARNING NEAR YOUR POOL**

**SAVE THESE INSTRUCTIONS**