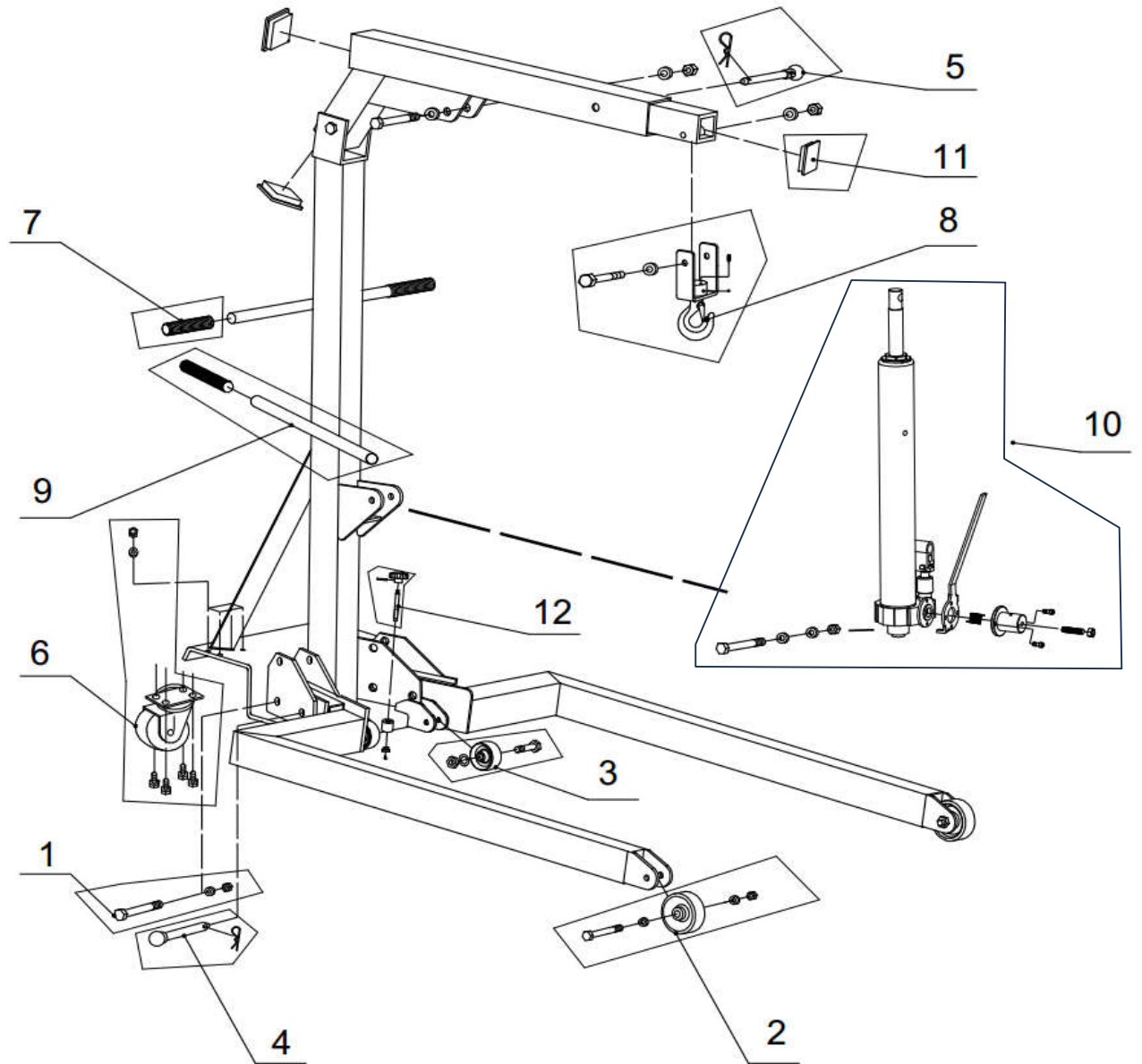


N°	CODE	DESCRIPTION
1	BH6FC1000-01	LEG SCREW-M6X105MM
2	BH6FC1000-02	FRONT WHEEL WITH SCREW
3	BH6FC1000-03	SMALL MIDDLE WHEEL WITH SCREW
4	BH6FC1000-04	LEG PIN- COMPLETE
5	BH6FC1000-05	LIFTING ARM PIN- COMPLETE
6	BH6FC1000-06	REAR WHEEL- COMPLETE
7	BH6FC1000-07	PUSHING HANDLE SLEEVE
8	BH6FC1000-08	LIFTING ARM HOOK- COMPLETE
9	BH6FC1000-09	PUMPING HANDLE- COMPLETE
10	BH6FC1000-10	CRANE PUMP WITH SWIVEL BASE
11	BH6FC1000-11	CRANE TUBE PLASTIC CAPS SET (3 units)
12	BH6FC2000-12	CRANE BASE TILTING SCREW



BAHCO

BH6PC600



*SNA Europe does not cover the causes over negligence in tool use and/or repair, inadequate care, or abnormal usage conditions.
Follow the instructions for proper use, safety, maintenance and servicing given by SNA Europe*