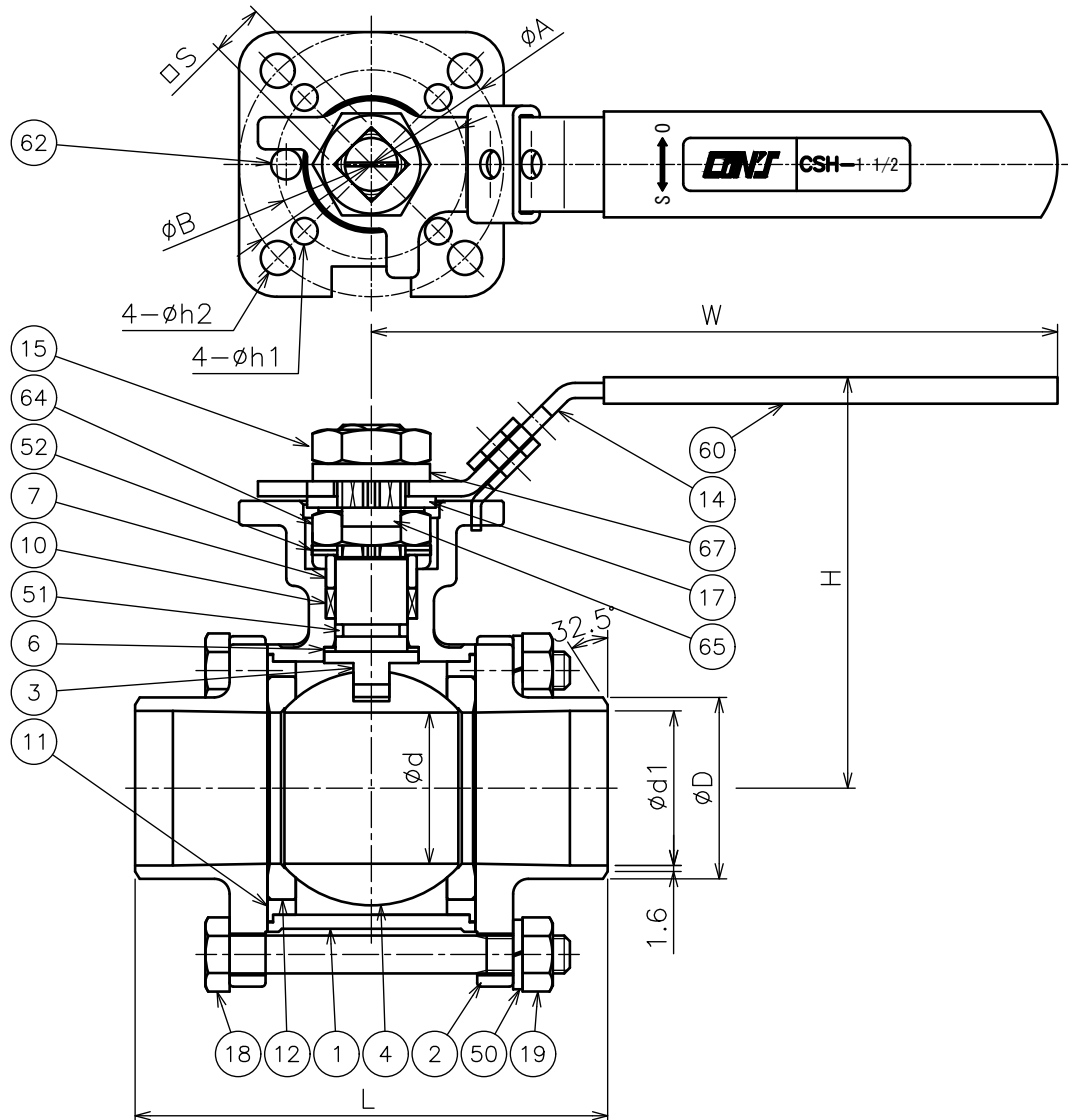




SIZE	d	d1	D	L	S	A	B	h1	h2	W	H
15A	15	15.8	21.3	75	9	42	36	R3	R3	127	76
20A	20	21.0	26.7	90	9	42	36	R3	R3	127	77
25A	25	26.6	33.4	100	11	50	42	R3	R4.5	152	89
40A	40	40.9	48.3	125	14	70	50	ø7	ø9	182	110
50A	50	52.5	60.3	150	14	70	50	ø7	ø9	182	119

REV.	DATE	DESCRIPTION	DR'N	APPV'D
◇	2020.12.14	REV.	T.KADO	S.NAITOH



67	SPRING WASHER	SUS304	1	SIZE:40A,50A Only
65	LOCK WASHER	SUS304	1	
64	STEM NUT	SUS304	1	
62	STOP PIN	SUS304	1	
60	HANDLE COVER	PVC	1	
52	CONED DISC SPRING	AISI-301	2	or SUS301
51	O-RING	FKM	1	
50	SPRING WASHER	SUS304	4	
19	HEXAGON NUT	SUS304	4	
18	HEXAGON BOLT	SUS304	4	
17	HANDLE WASHER	SUS304	1	
15	HANDLE NUT	SUS304	1	
14	HANDLE	SUS304	1	
12	BALL SEAT	PTFE	2	
11	GASKET	PTFE	2	
10	GLAND PACKING	PTFE	1set	
7	GLAND	SUS304	1	
6	STEM BEARING	PTFE	1	
4	BALL	SCS14A	1	
3	STEM	SUS316	1	
2	END CAP	SCS14A	2	ASME B16.25 Sch40
1	BODY	SCS14A	1	

No.	PARTS NAME	MAT'L	Q'ty	REMARKS
DWG. NAME	600WOG 3PCS BALL VALVE BW END		DESCRIPTION MULTIROLE BALL VALVE	
TYPE	CSH-BS2-()		SCALE	FREE
			DATE	MAY,07,2020
DWG. No.	CKD-20200503A-1		APPV'D	S.NAITO
			CHK'D	R.OSAKA
CONSUSS CORPORATION			DR'N	T.KADO