

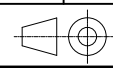
4

3

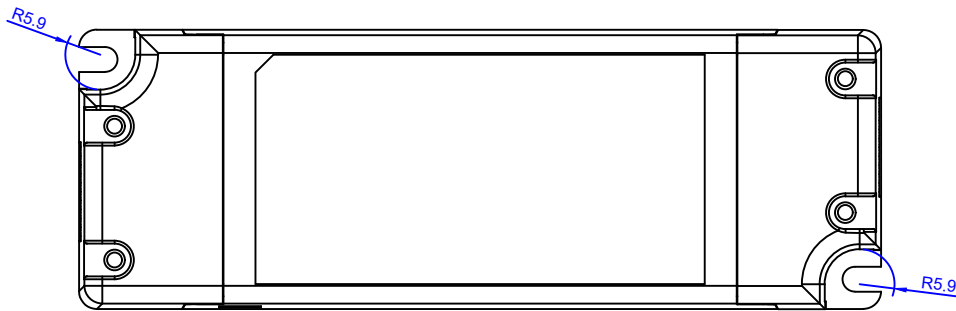
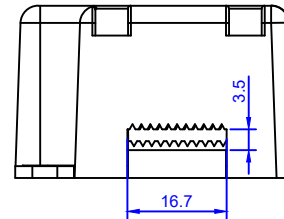
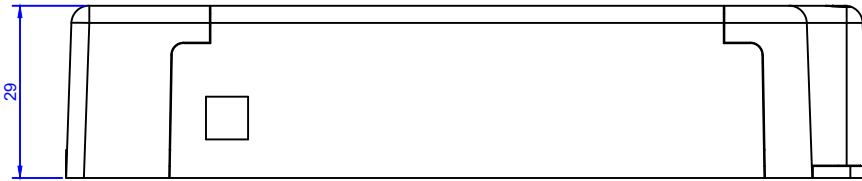
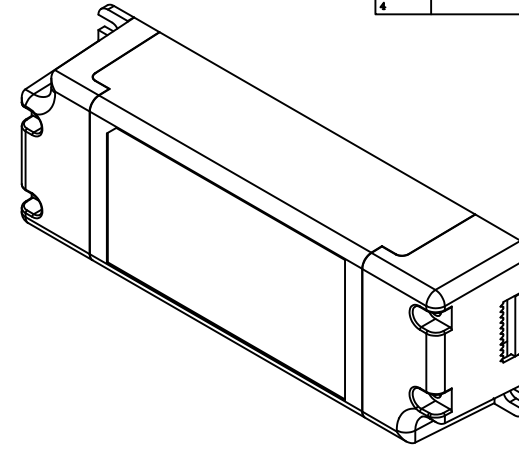
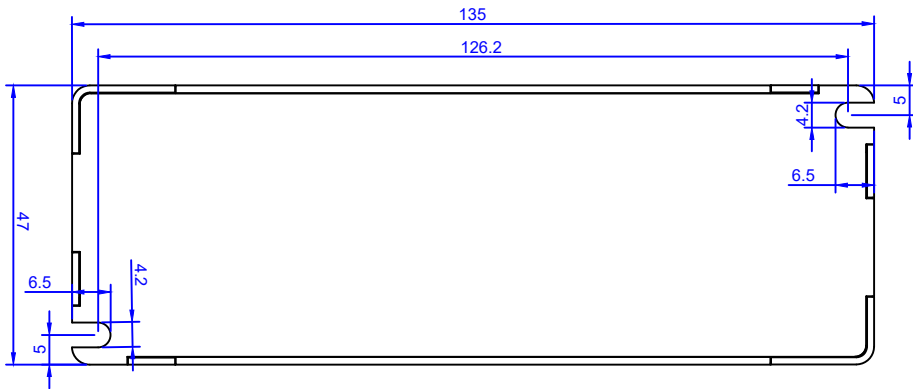
2

1

	0.5-3	3-6	6-30	30-120	120-400	400-1000	1000-2000	
	±0.1	±0.1	±0.2	±0.3	±0.5	±0.8	±1.2	



ITEM NO.	DESCRIPTION	QTY
1		
2		
3		
4		



D

D

C

C

B

B

A

A

DRAWING NO:			DRAWING TITLE:			
MATERIAL:			PROJECT:			
FINISH:						
VOLUME:						
DRAWN BY	NAME	DATE	SIZE	NO.	#	
CHK'D BY			SCALE	WEIGHT	SHEET 1 OF 1	

4

3

2

1