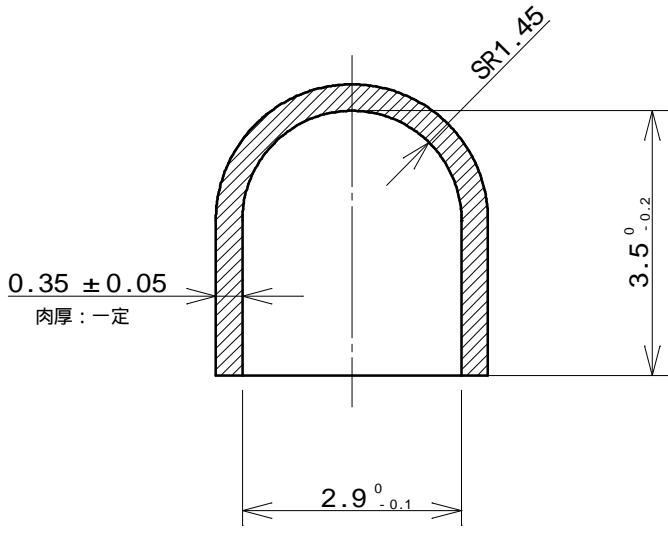


CAD
ZRD

○	SPECIFICATIONS <仕様図>	SURFACE TREATMENT <表面処理>	SYM	DATE	REVISION	REVR	APPR
	REFERENCE <参考図>	HEAT TREATMENT <熱処理>	△ x				
		FINISH <仕上げ>	△ x				

Drawing Paper for Rubber Parts



NOTE)

・一般公差：±0.2

100
90
80
70
60
50
40
30
20
10
0

TOLERANCE UNLESS SPECIFIED <table border="1"> <tr> <th>RANGE</th> <th>A</th> <th>B</th> <th>C</th> </tr> <tr> <td>LESS THAN 6</td> <td>±0.2</td> <td>±0.1</td> <td>±0.1</td> </tr> <tr> <td>OVER 6 TO 20</td> <td>±0.3</td> <td>±0.2</td> <td>±0.1</td> </tr> <tr> <td>OVER 20 TO 50</td> <td>±0.5</td> <td>±0.3</td> <td>±0.2</td> </tr> <tr> <td>OVER 50 TO 100</td> <td>±1.0</td> <td>±0.5</td> <td>±0.3</td> </tr> <tr> <td>OVER 100 TO 300</td> <td>±2.0</td> <td>±1.0</td> <td>±0.5</td> </tr> <tr> <td>OVER 300 TO 500</td> <td>±5.0</td> <td>±2.5</td> <td>±1.0</td> </tr> <tr> <td>ANGLE</td> <td colspan="3">±2°</td> </tr> </table>	RANGE	A	B	C	LESS THAN 6	±0.2	±0.1	±0.1	OVER 6 TO 20	±0.3	±0.2	±0.1	OVER 20 TO 50	±0.5	±0.3	±0.2	OVER 50 TO 100	±1.0	±0.5	±0.3	OVER 100 TO 300	±2.0	±1.0	±0.5	OVER 300 TO 500	±5.0	±2.5	±1.0	ANGLE	±2°			ORIGINAL DATE 2020/7/28 SCALE 10:1 SIZE A4	MATERIAL (COMPOUND) シリコーンゴム COLOR HARDNESS 70° ± 5	TITLE 光拡散キャップ DRAWING NO. A-29038L DESIGN S.Endo DRAWN S.Endo CHECKED F.Sato APPROVED E.Ishiguro
	RANGE	A	B	C																															
	LESS THAN 6	±0.2	±0.1	±0.1																															
	OVER 6 TO 20	±0.3	±0.2	±0.1																															
OVER 20 TO 50	±0.5	±0.3	±0.2																																
OVER 50 TO 100	±1.0	±0.5	±0.3																																
OVER 100 TO 300	±2.0	±1.0	±0.5																																
OVER 300 TO 500	±5.0	±2.5	±1.0																																
ANGLE	±2°																																		
ORIGINAL DATE 2020/7/28 SCALE 10:1 UNIT mm SIZE 3RD ANGLE SYSTEM		MATERIAL (COMPOUND) シリコーンゴム COLOR HARDNESS 70° ± 5	TITLE 光拡散キャップ DRAWING NO. A-29038L DESIGN S.Endo DRAWN S.Endo CHECKED F.Sato APPROVED E.Ishiguro																																
ORIGINAL DATE 2020/7/28 SCALE 10:1 UNIT mm SIZE 3RD ANGLE SYSTEM		MATERIAL (COMPOUND) シリコーンゴム COLOR HARDNESS 70° ± 5	TITLE 光拡散キャップ DRAWING NO. A-29038L DESIGN S.Endo DRAWN S.Endo CHECKED F.Sato APPROVED E.Ishiguro																																
ORIGINAL DATE 2020/7/28 SCALE 10:1 UNIT mm SIZE 3RD ANGLE SYSTEM		MATERIAL (COMPOUND) シリコーンゴム COLOR HARDNESS 70° ± 5	TITLE 光拡散キャップ DRAWING NO. A-29038L DESIGN S.Endo DRAWN S.Endo CHECKED F.Sato APPROVED E.Ishiguro																																

