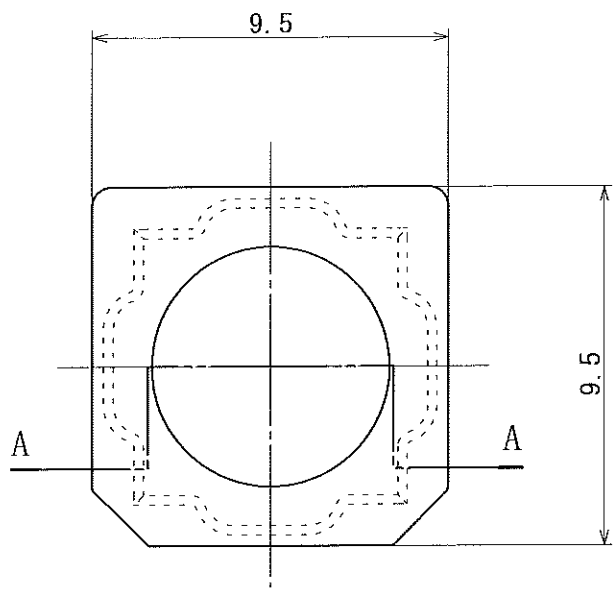
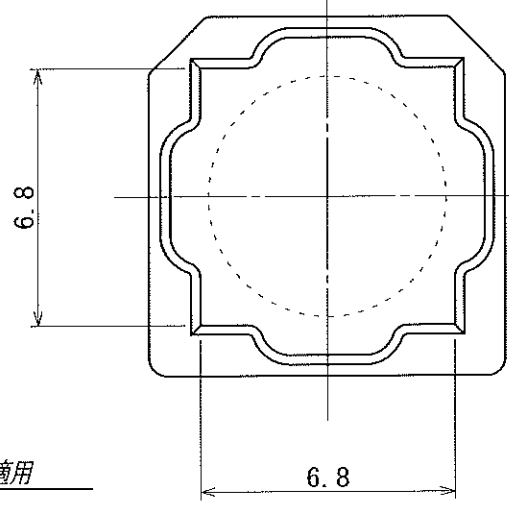
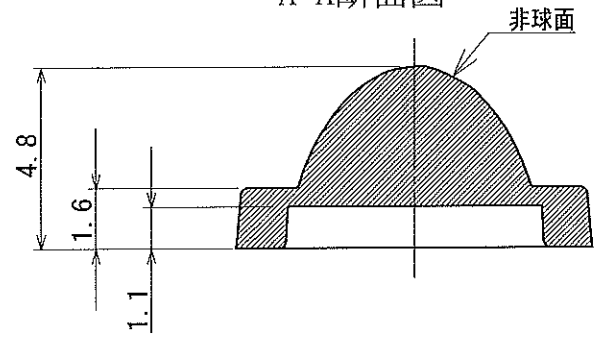


1		2		3			4 [C / P]		
SPECIFICATIONS <仕様図>		SURFACE TREATMENT <表面処理>		SYM	DATE	REVISION		REVR	APPR
REFERENCE <参考図>		HEAT TREATMENT <熱処理>		△1 x					
		FINISH <仕上り>		△2 x					
				△3 x					



A-A断面図



NOTE)

一般寸法公差：下記C公差を適用

100
90
80
70
60
50
40
30
20
10
0

TOLERANCE UNLESS SPECIFIED			
RANGE	A	B	C
LESS THAN 6	±0.2	±0.1	±0.1
OVER 6 TO 20	±0.3	±0.2	±0.2
OVER 20 TO 50	±0.5	±0.3	±0.2
OVER 50 TO 100	±1.0	±0.5	±0.3
OVER 100 TO 300	±2.0	±1.0	±0.5
OVER 300 TO 500	±5.0	±2.5	±1.0
ANGLE	±2°		

ORIGINAL DATE 2015/11/11		MATERIAL (COMPOUND)	
SCALE 5:1	UNIT mm	COLOR	
SIZE A4	3RD ANGLE SYSTEM	HARDNESS	



TITLE AL-30M-033K3			
DRAWING NO. 17102301M			
DESIGN	DRAWN	CHECKED	APPROVED
T. Motoyanagi	T. Motoyanagi	E. Ishiguro	T. Kanahira

Drawing Paper for Rubber Parts

C

D

E

F