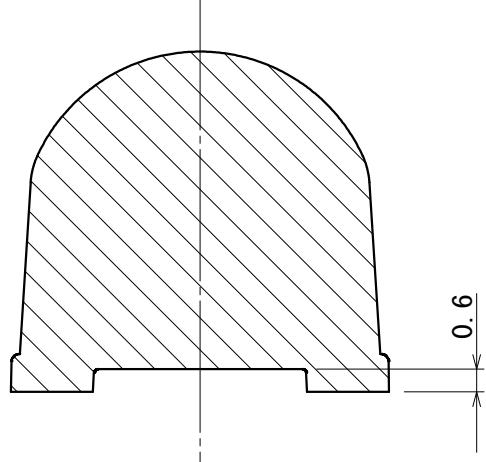
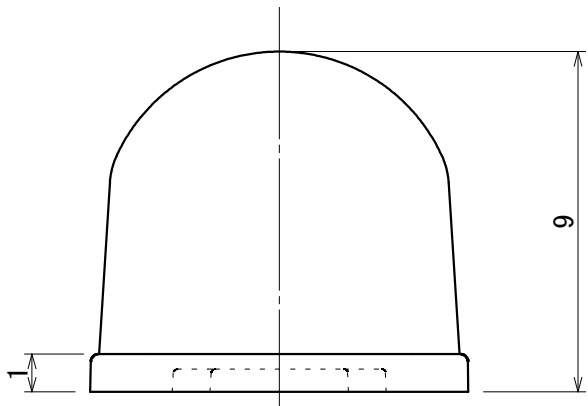
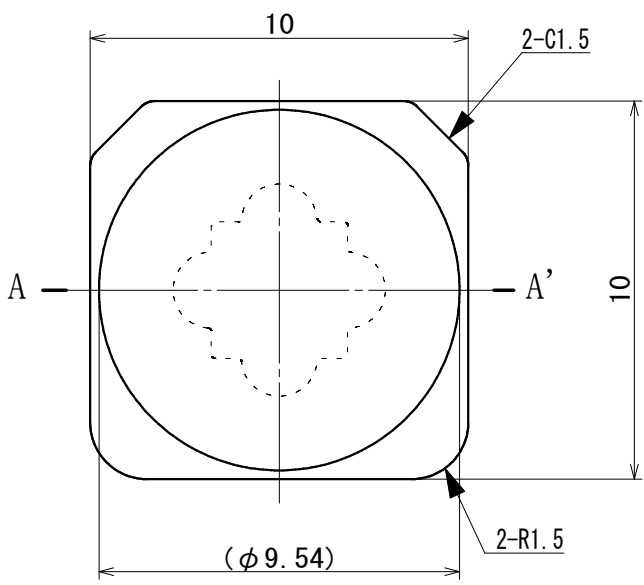
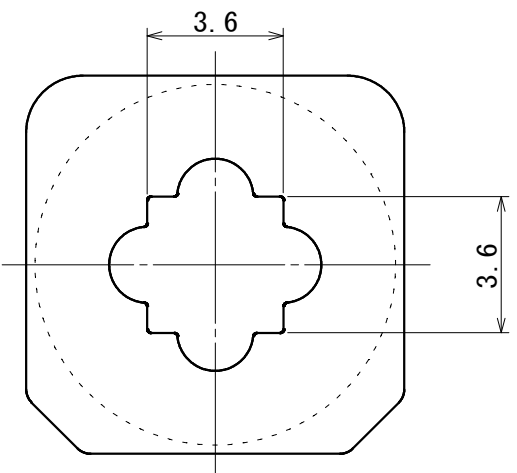


SPECIFICATIONS 〈仕様図〉		SURFACE TREATMENT 〈表面処理〉		SYM	DATE	REVISION		REVR	APPR
REFERENCE 〈参考図〉		HEAT TREATMENT 〈熱処理〉		△ x					
		FINISH 〈仕上げ〉		△ x					
				△ x					



A-A' 断面



NOTE)
 ・一般公差: ±0.1
 ・推奨LEDサイズ 3.5×3.5mm
 ・レンズ曲率は参考形状となります。



TOLERANCE UNLESS SPECIFIED			
RANGE	A	B	C
LESS THAN 6	±0.2	±0.1	±0.1
OVER 6 TO 20	±0.3	±0.2	±0.1
OVER 20 TO 50	±0.5	±0.3	±0.2
OVER 50 TO 100	±1.0	±0.5	±0.3
OVER 100 TO 300	±2.0	±1.0	±0.5
OVER 300 TO 500	±5.0	±2.5	±1.0
ANGLE	±2°		

ORIGINAL DATE 2013/10/21	MATERIAL (COMPOUND)	TITLE AL-30M-275
SCALE 5:1	UNIT mm	DRAWING NO. 13102102M
SIZE A4	3RD ANGLE SYSTEM	DESIGN T. Motoyanagi
		DRAWN T. Motoyanagi
		CHECKED T. Kanahira
株式会社朝日ラバー		APPROVED M. Tasaki

MATERIAL (COMPOUND)		TITLE	
COLOR		DRAWING NO.	
HARDNESS		DESIGN	DRAWN
		CHECKED	APPROVED
		T. Motoyanagi	T. Motoyanagi
		T. Kanahira	M. Tasaki