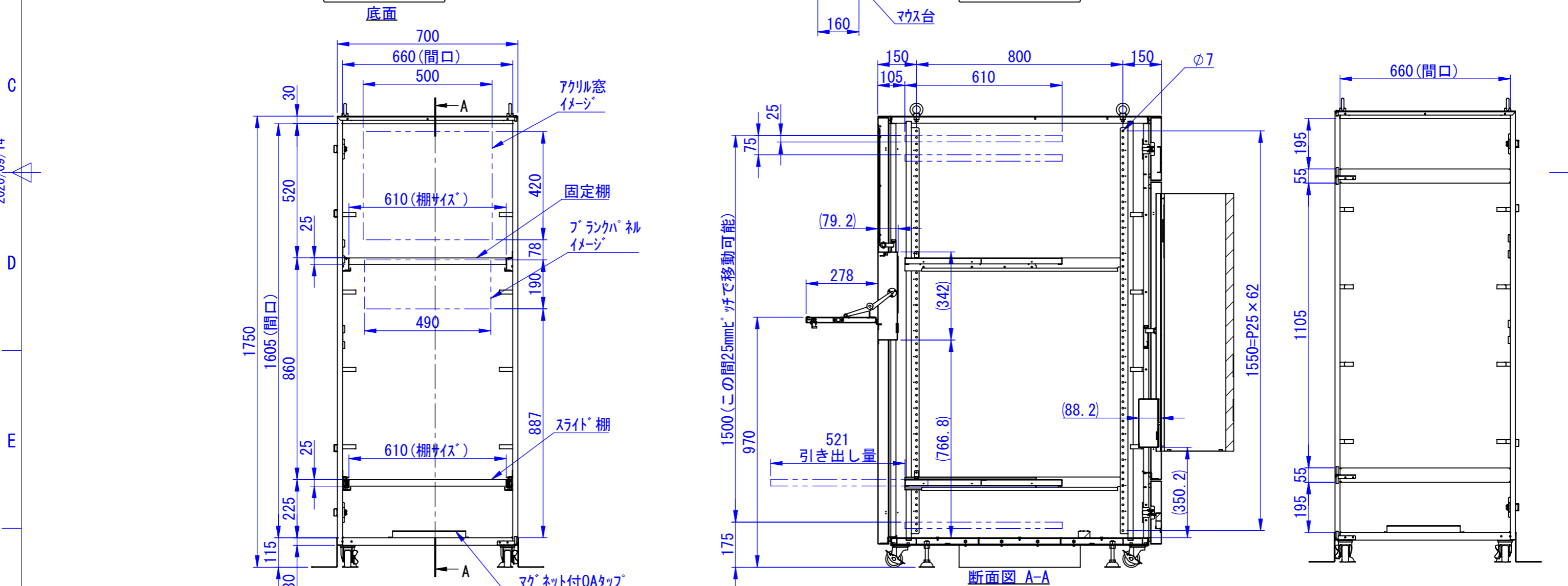
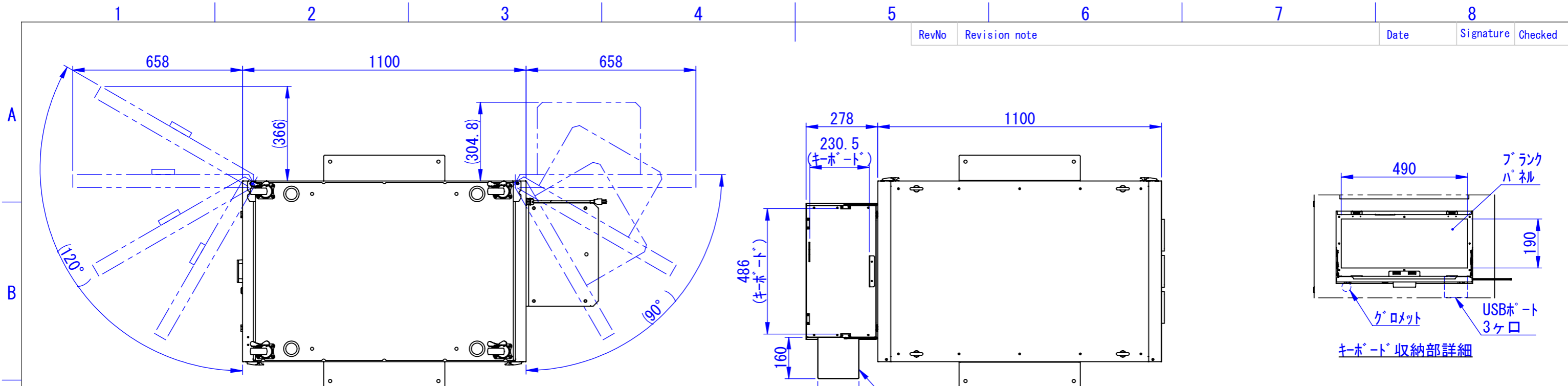


2020/11/18

表面処理:
 本体色: 7.5Y6/0.5レザートン
 扉色: N4.0レザートン

Designed by K.Kitamura	Checked by -	Approved by - date -	Filename -	Date 20/09/11	Scale 1:15
エス・ディ・エス株式会社			まもる君Server (SR-171C、ST-171C)		
			SDSV011G0201	Edition -	Sheet 1/1



2020/09/14

Designed by K.Kitamura	Checked by -	Approved by - date -	Filename -	Date 20/09/11	Scale 1:15
---------------------------	-----------------	-------------------------	---------------	------------------	---------------

エス・ディ・エス株式会社	まもる君Server (ST-171C)	
	SDSV011G0202	Edition - Sheet 1/1