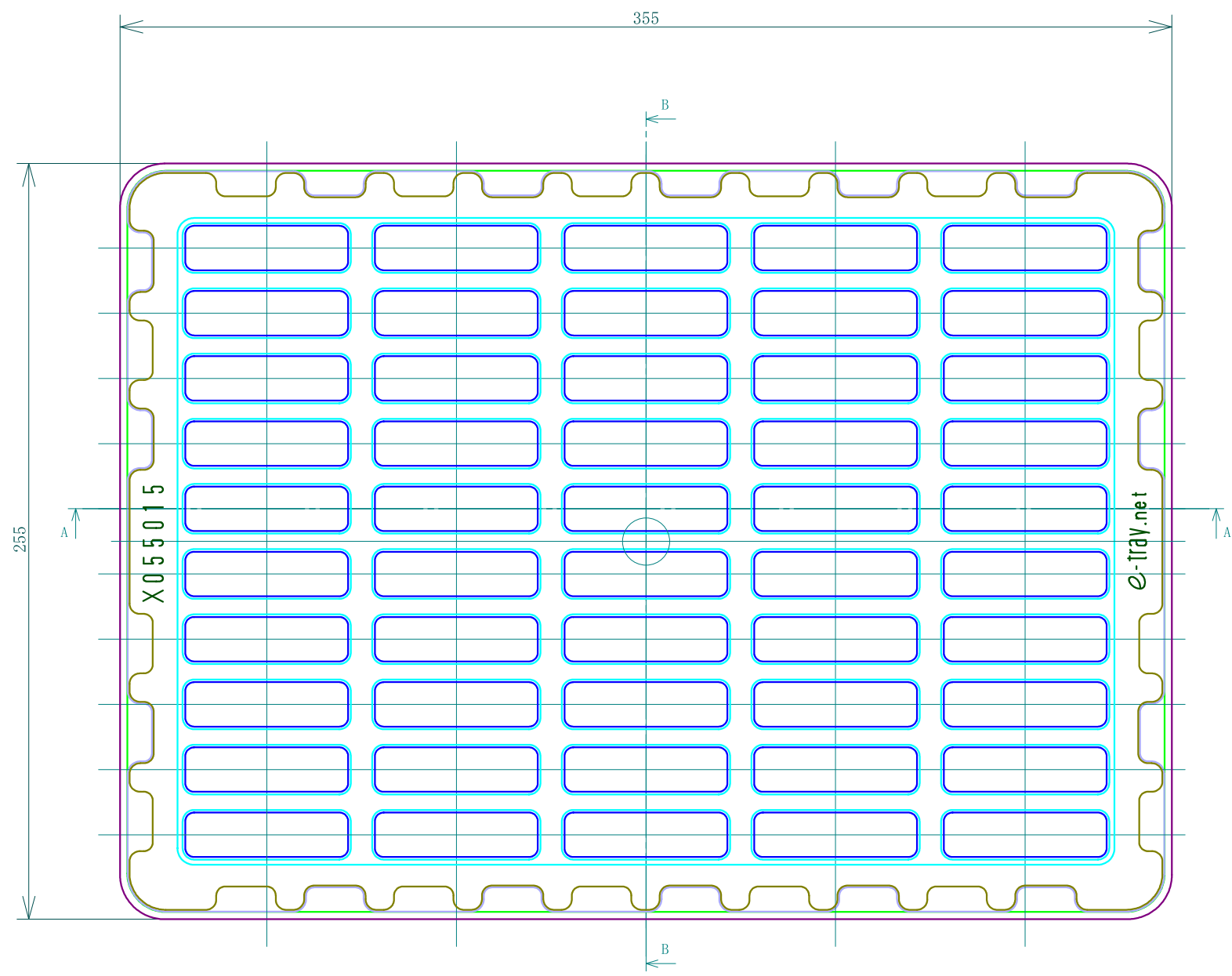
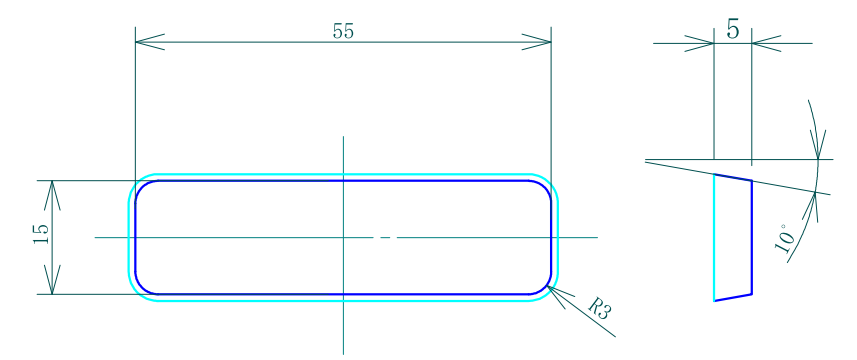
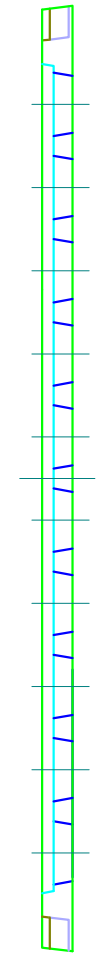


基準公差表	
L ≤ 10	±0.50
10 < L ≤ 60	±0.80
60 < L ≤ 100	±1.00
100 < L	±1.50
ANGULAR DIMENSION	±2°

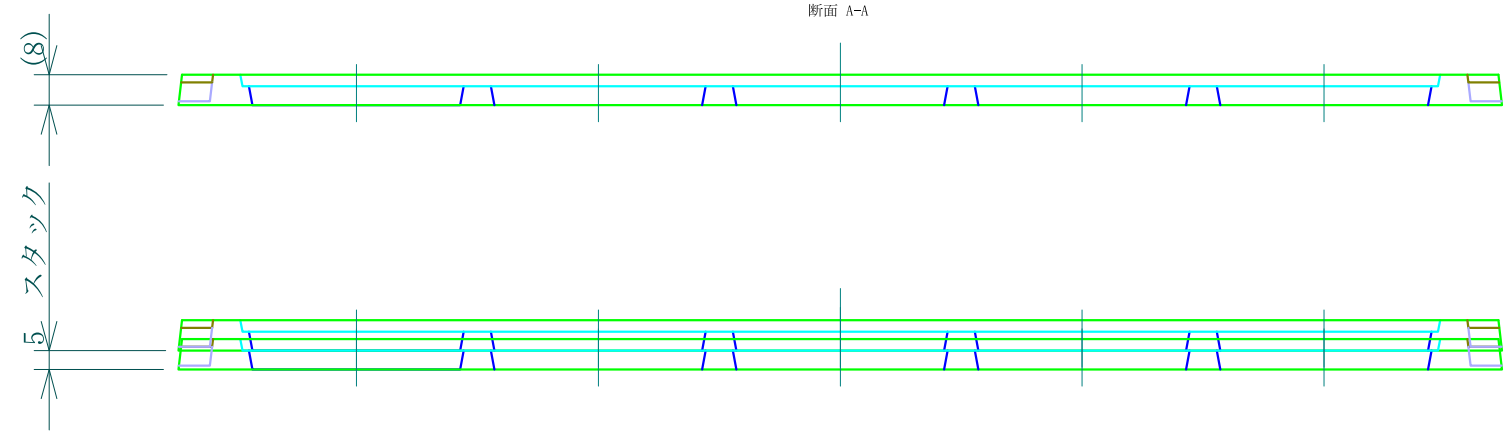


断面 B-B



ポケット寸法

断面 A-A



TITLE		e-TRAY X055015	
FINISH		355×255 55×15 S5 50P	
DATE	2010/05/14	MATERIAL NAME	APET t=0.5mm
SCALE	1:2	DESIGN BY	CHECKED BY
DRAWN BY		APPROVED BY	

部品番号