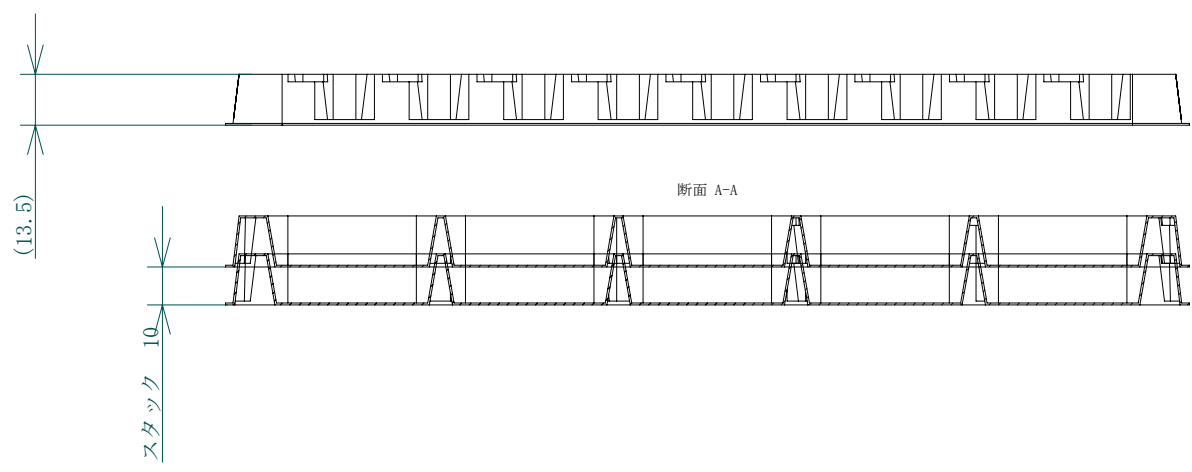
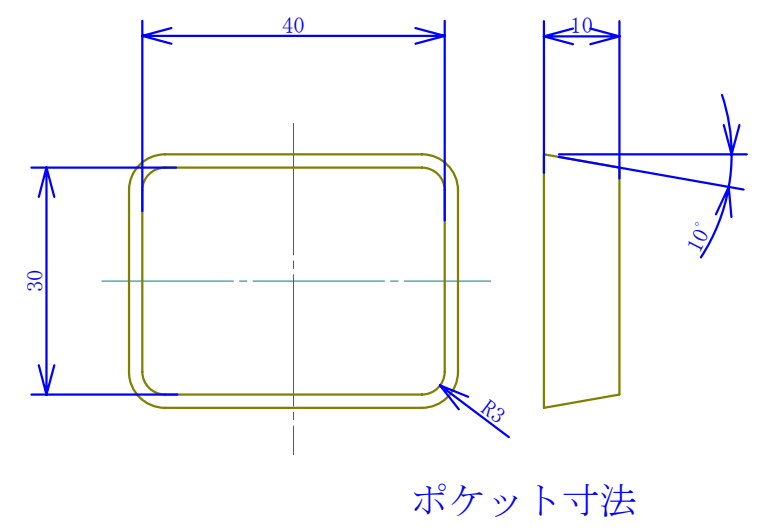
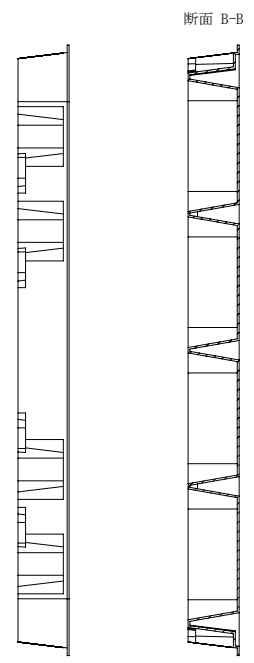
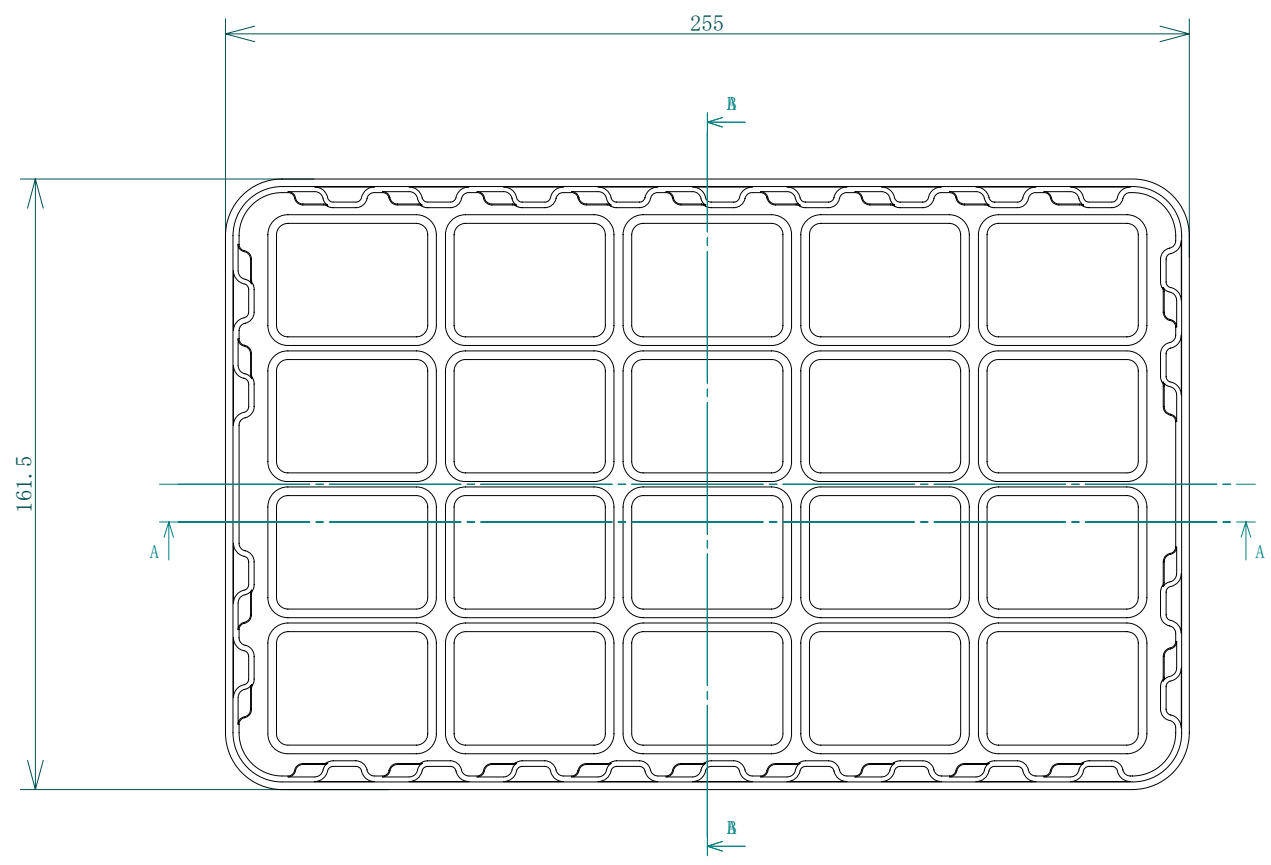


基準公差表	
L ≤ 10	±0.50
10 < L ≤ 60	±0.80
60 < L ≤ 100	±1.00
100 < L	±1.50
ANGULAR DIMENSION	±2°



TITLE e-TRAY		
FINISH 255×161.5 40×30 S10 20P		
DATE 2009/02/01	MATERIAL NAME APETt=0.5mm	
SCALE 1:2	DESIGN BY	CHECKED BY
	DRAWN BY	APPROVED BY

部品番号