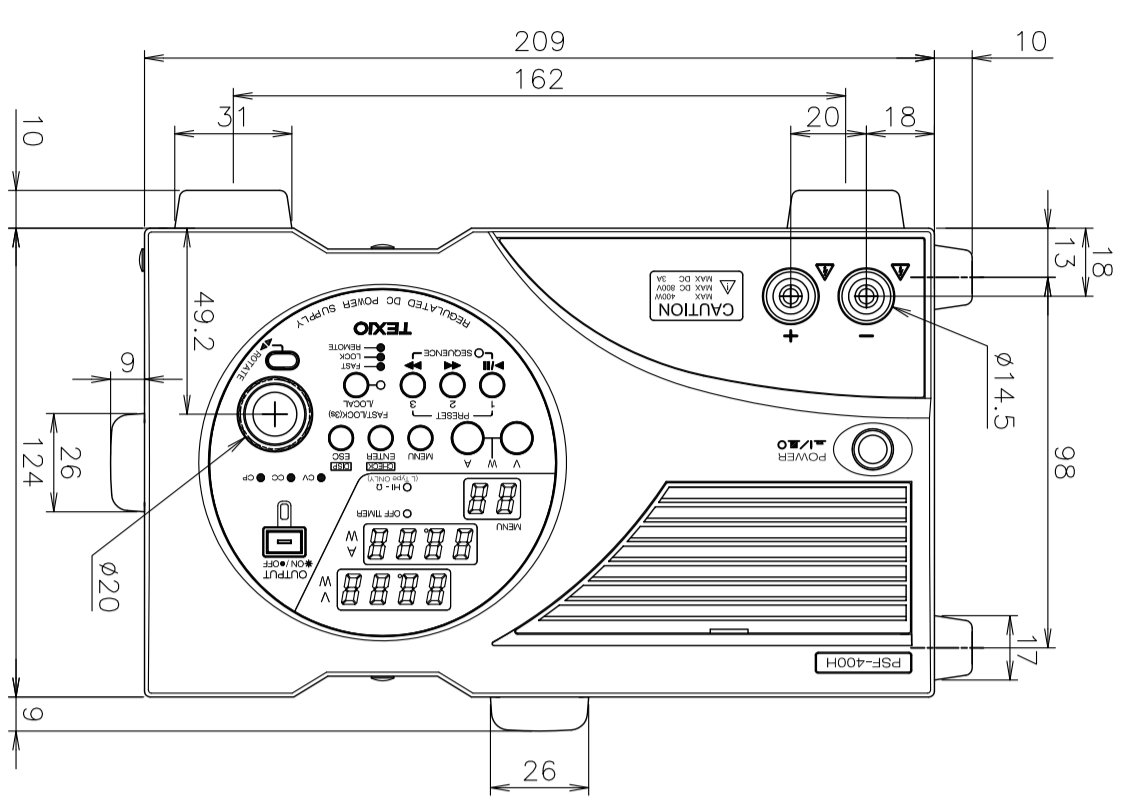
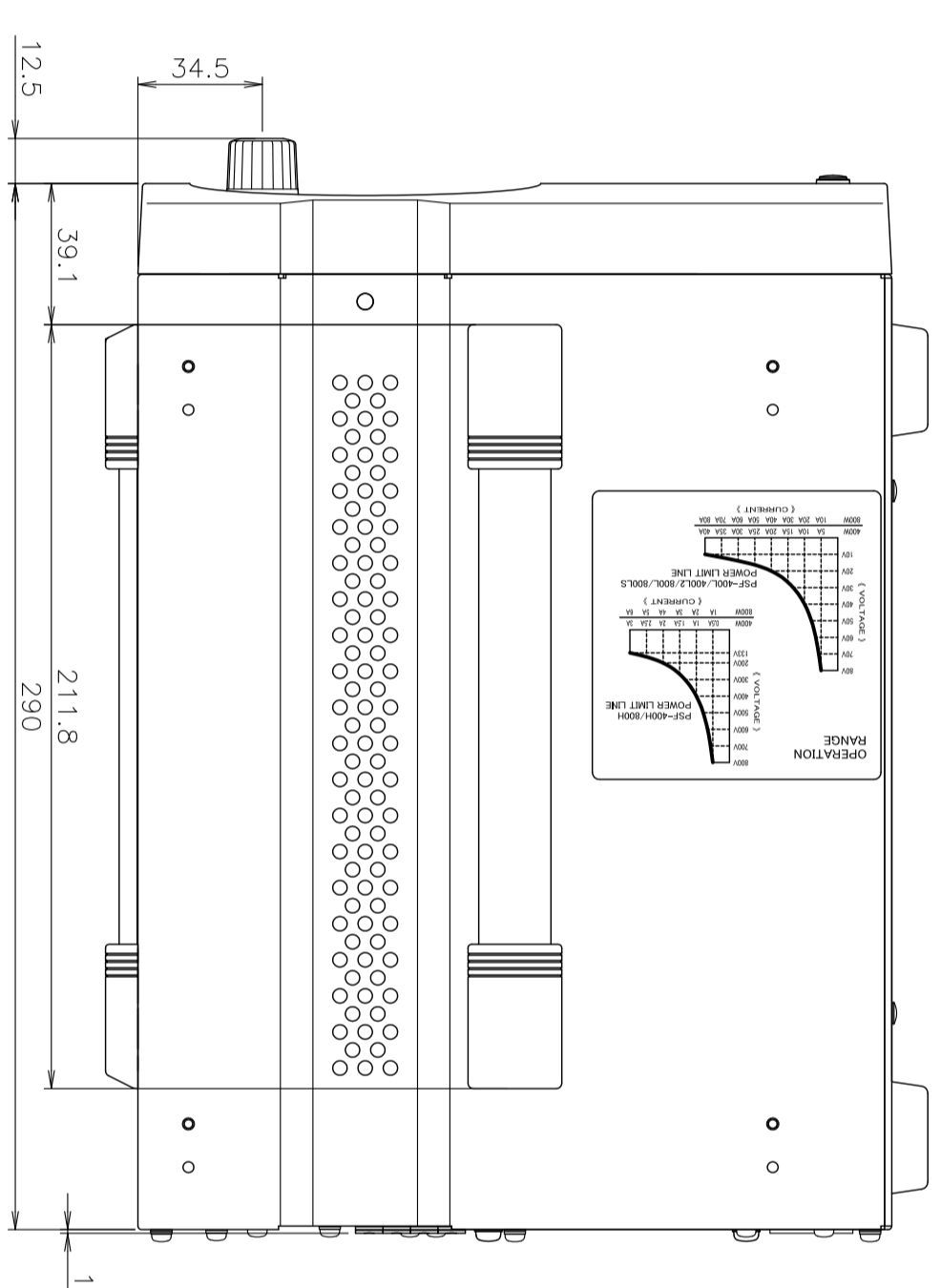
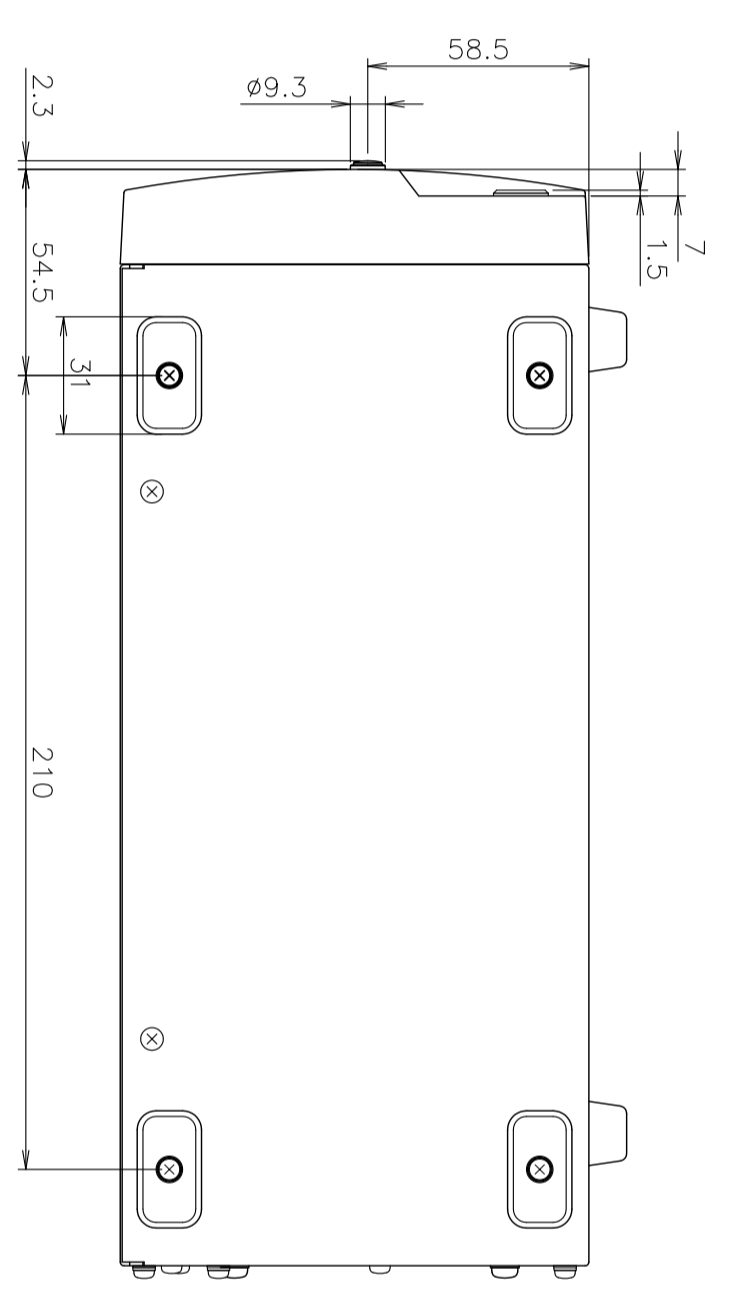


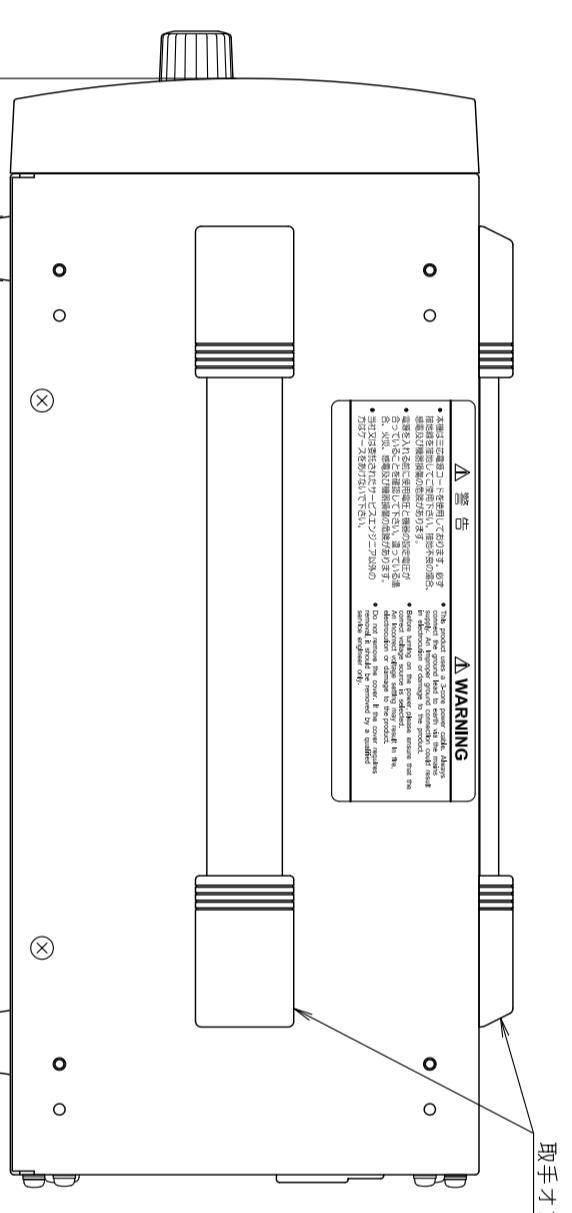
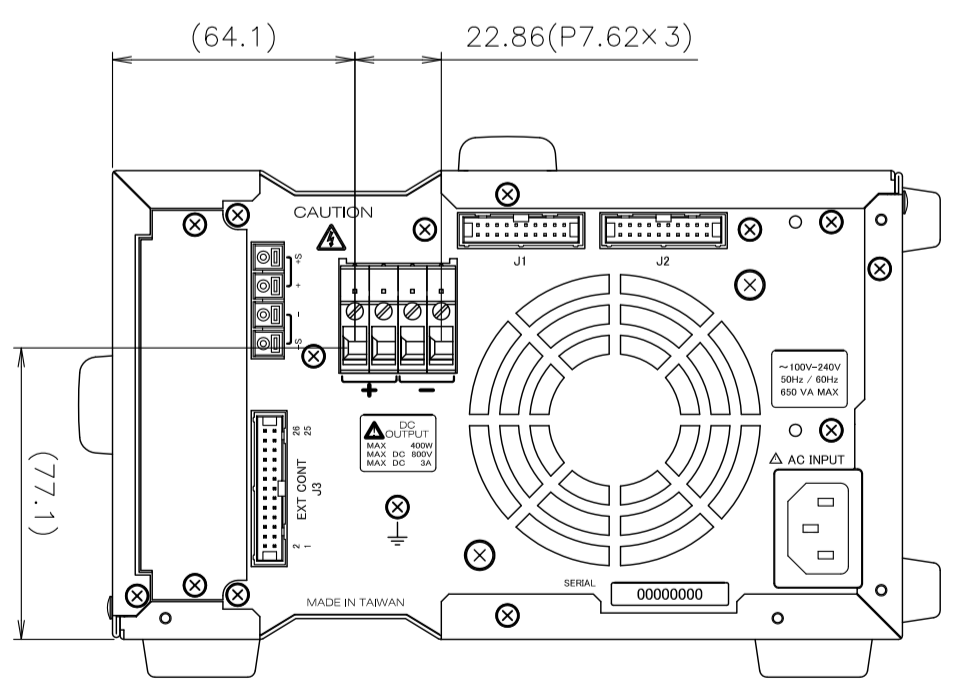
<前面パネル取付時>



<PSF-400H/800H>



<PSF-400H/800H>



取手オプションをつけた場合

仕様
*機種名 PSF-400H/PSF-800H
*取手キット:HK-10

SCALE	1:2	NO.	-	NAME	-	MATERIAL	-	FINISH	-	NOTE	-	QTY.	X
DATE	2018-08-28	DESIGNED	M. TANAKA	CHECKED	-	APPROVED	-	PART NAME	PSF-400H/800H	PART NO.	-	SHEET NO.	1/1
UNIT	mm	ISSUED	0	DATE	2010-	REVISION NO.	-	CORD	-	SYMBOL	△x-	REL.	00
JIS Z8310-84													