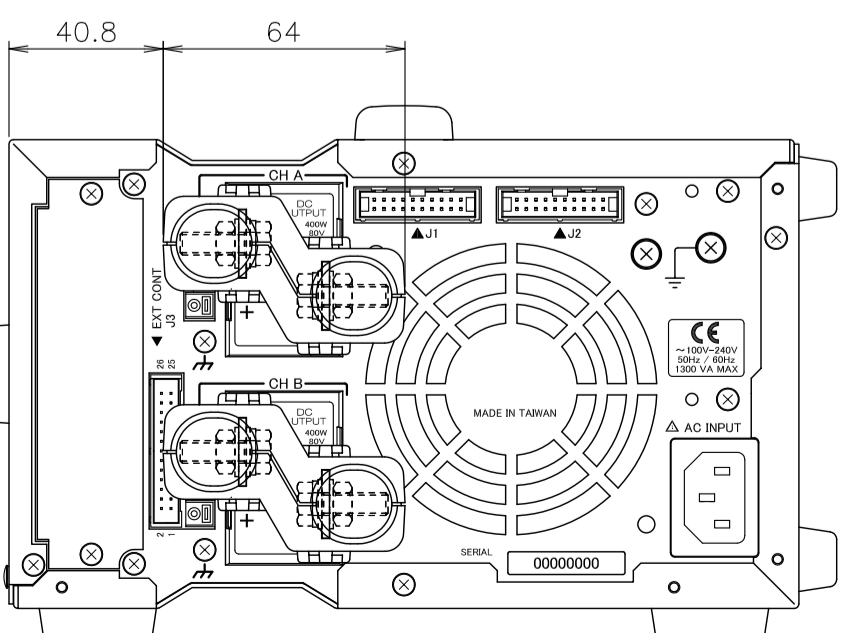
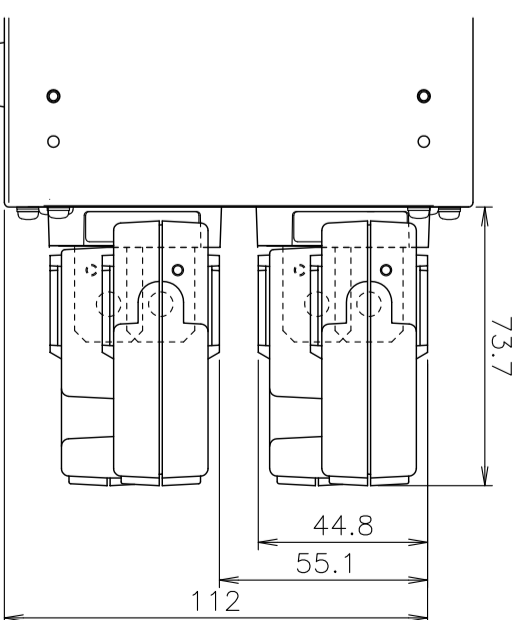
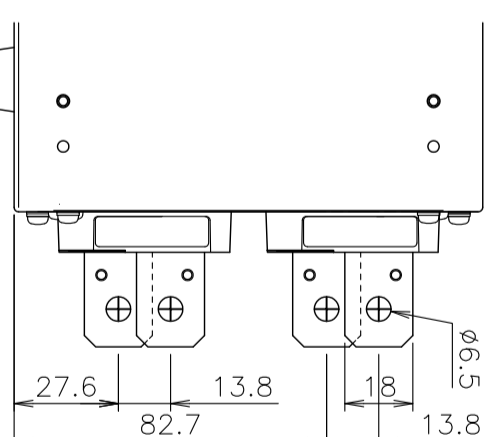
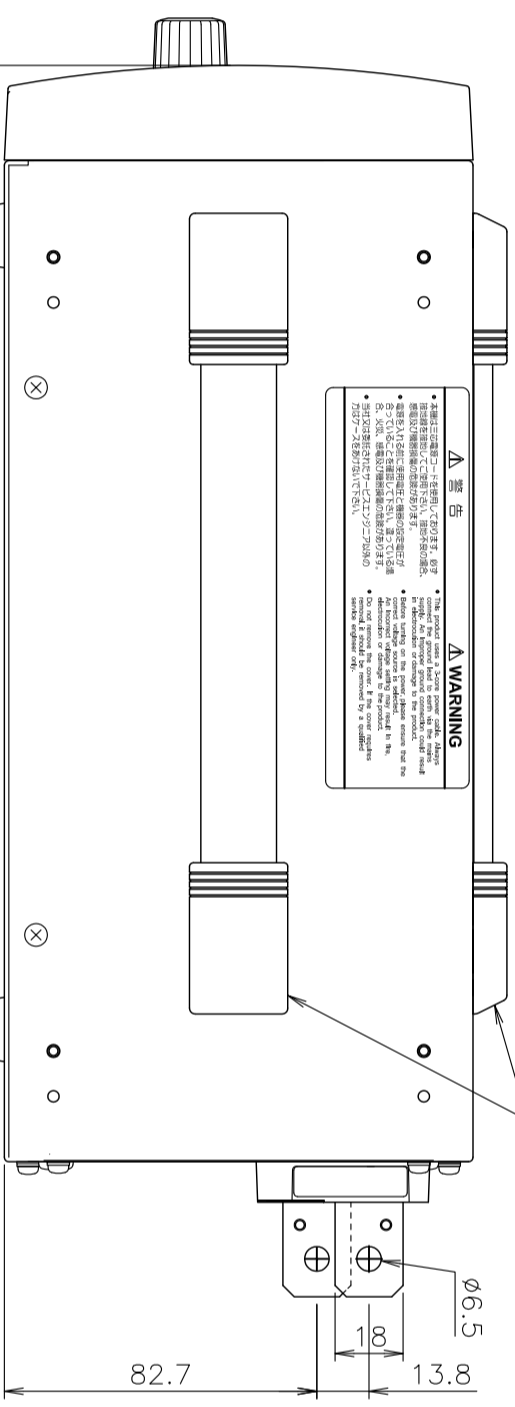


<PSF-400L2>

<PSF-400L/800L>



<背面保護カバー取付時>



<PSF-400L2>

<PSF-400L/800L>

<背面保護カバー取付時>

SCALE	1:2	NO.	-	NAME	-	MATERIAL	-	FINISH	-	NOTE	-	QTY.	X
DATE	2019-8-9	DESIGNED	O. TAKADA	CHECKED	-	APPROVED	-	PART NAME	PSF-400L/400L2/800L	SHEET NO.	1/1	REL.	00
UNIT	mm												
REVISION NO.	CORD	ISSUED	DATE										
Δ x	Δ x	Δ x	Δ x										
<p>取手がプラスチックの場合</p>													