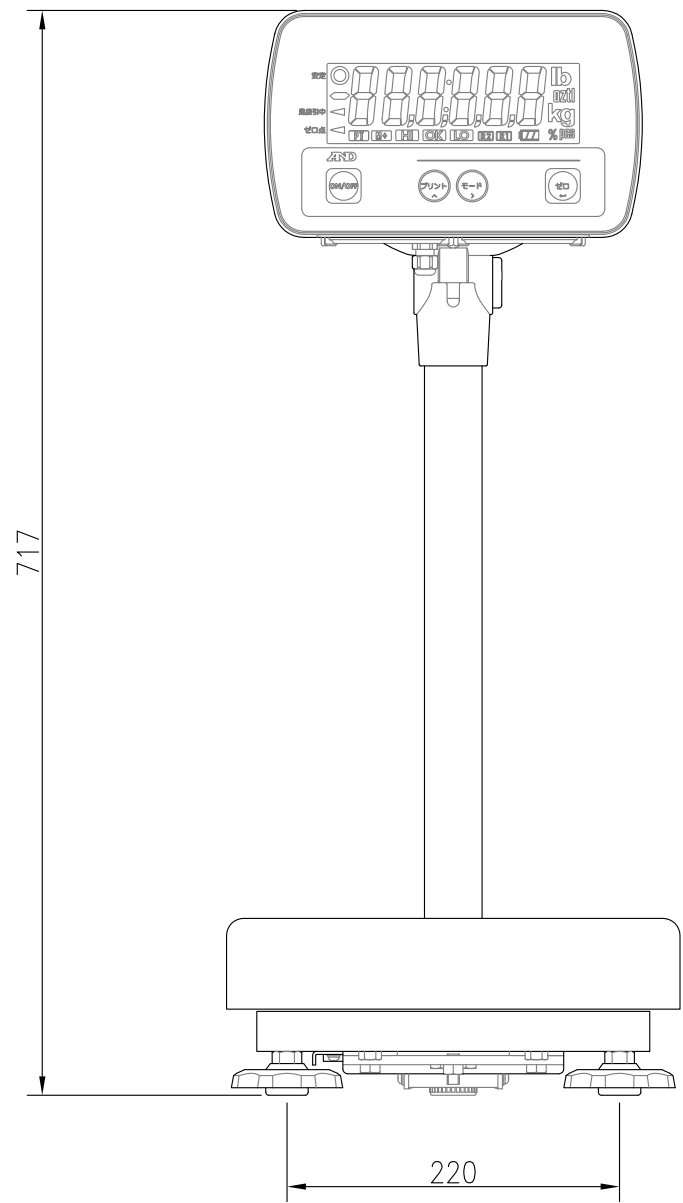
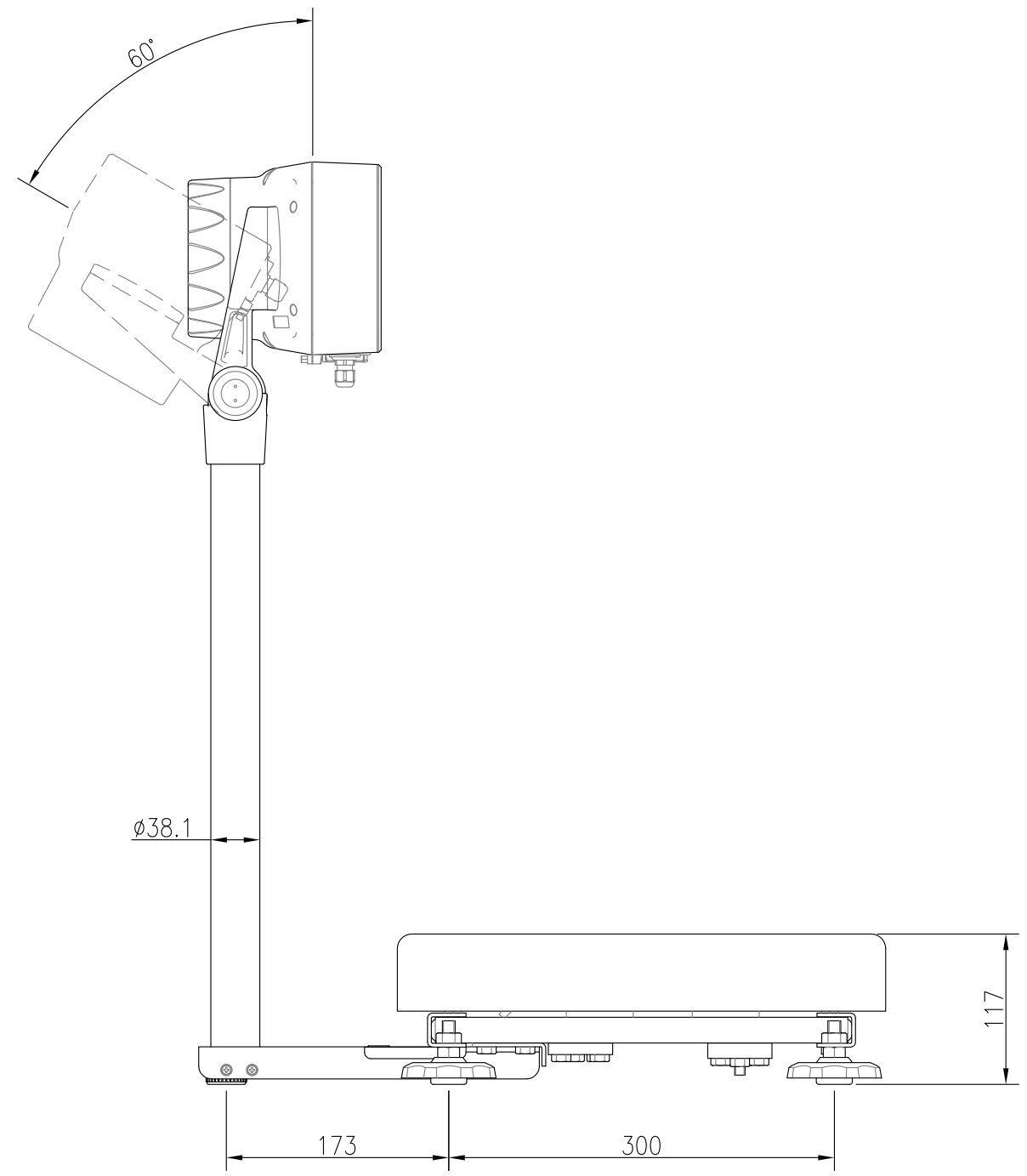
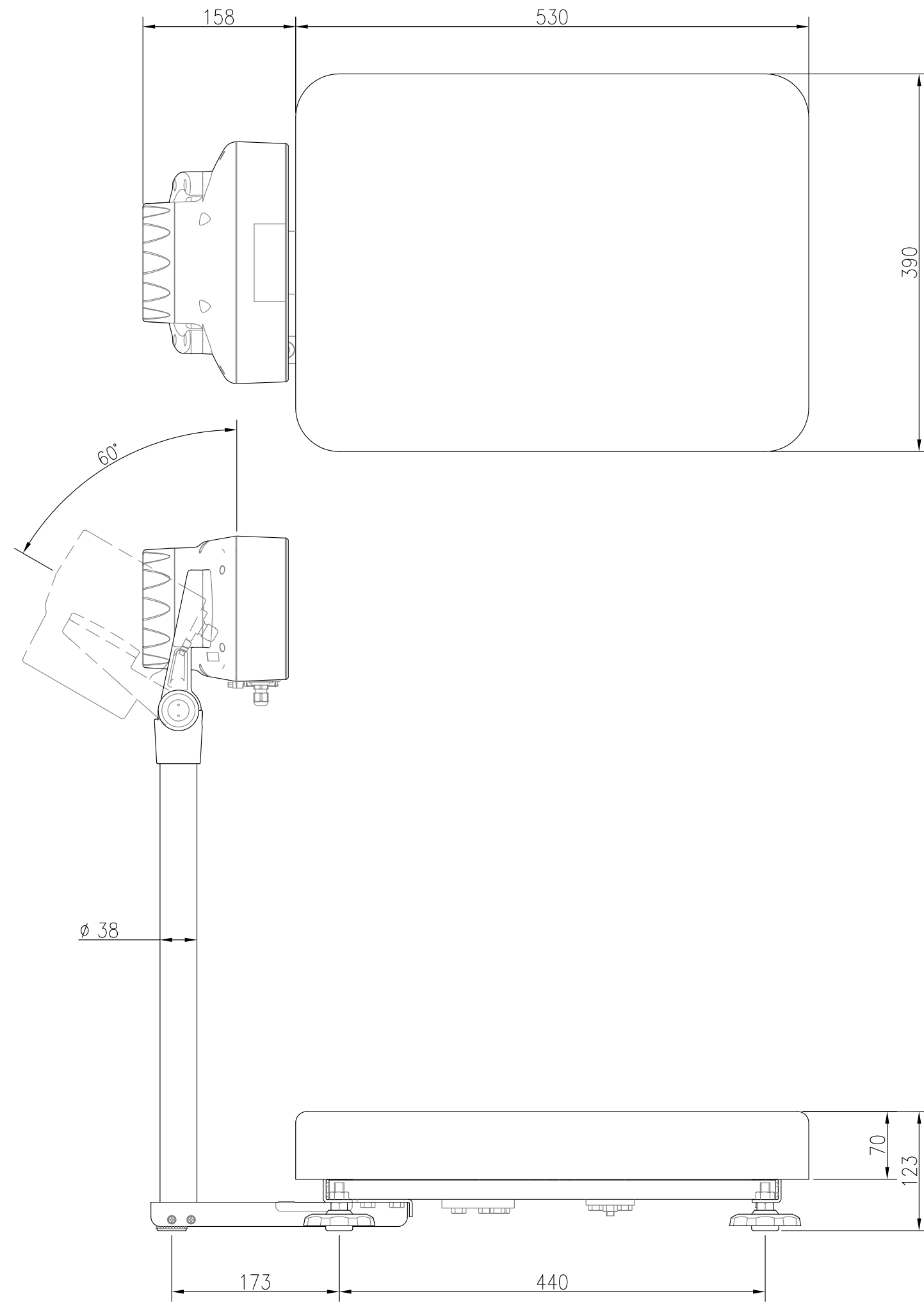
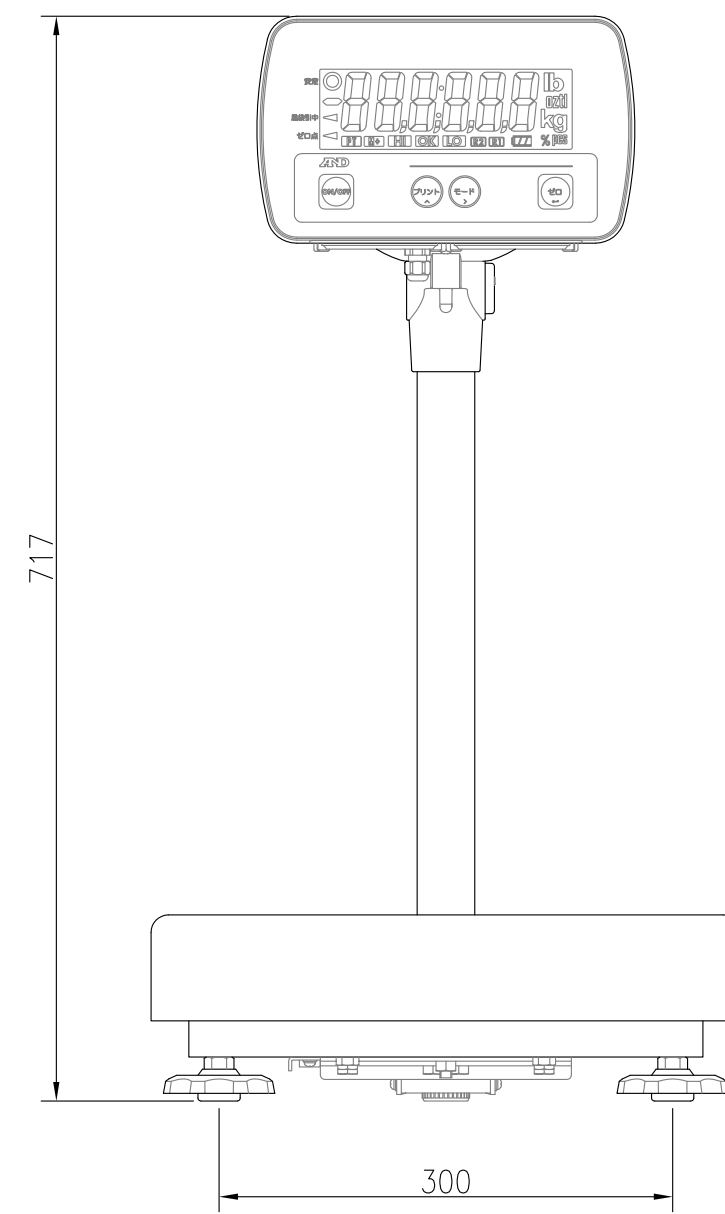


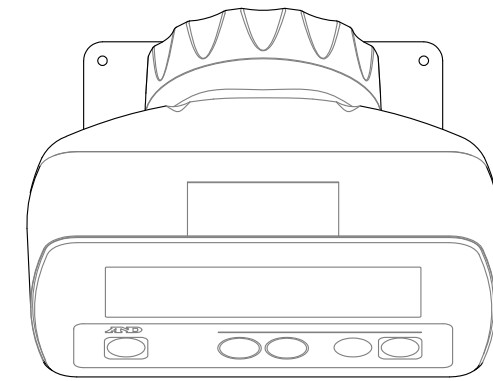
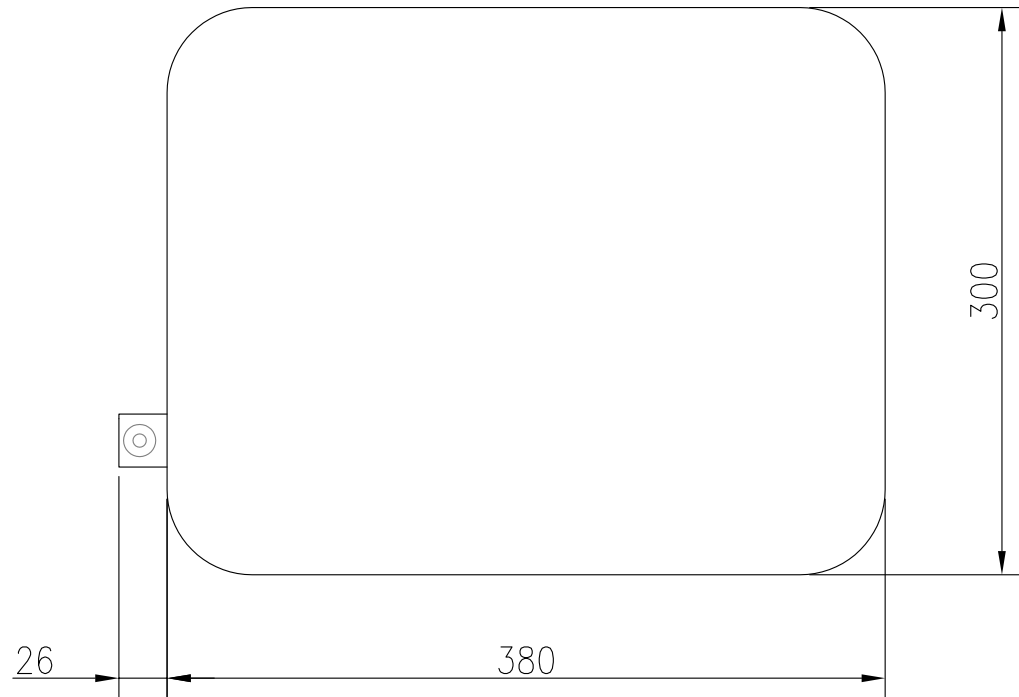
SC30KAM
 SC60KAM
 SC150KAM



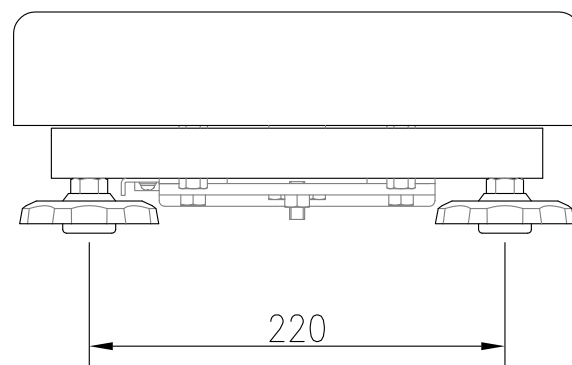
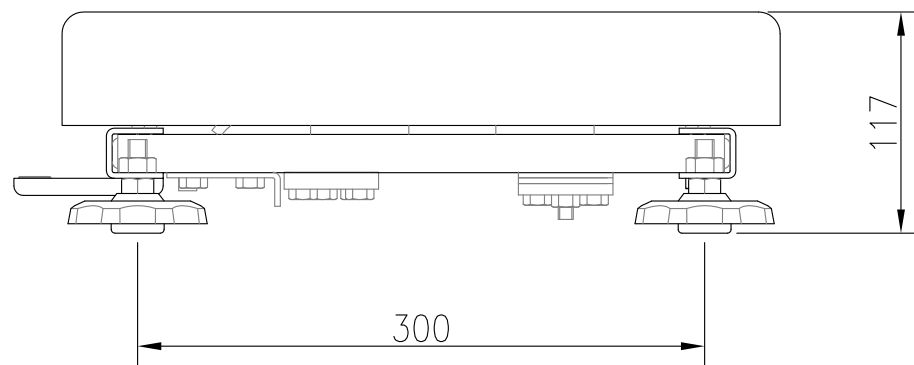
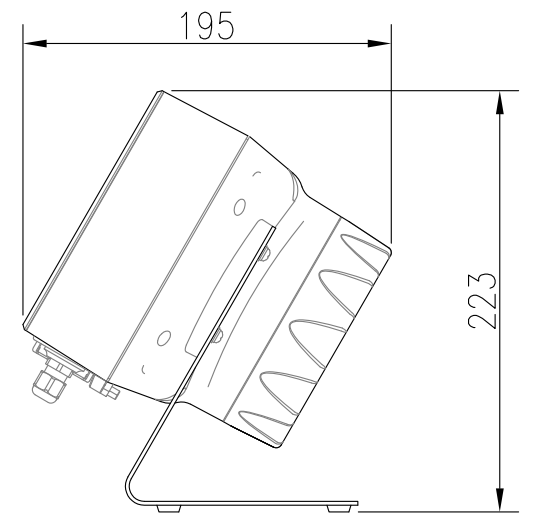
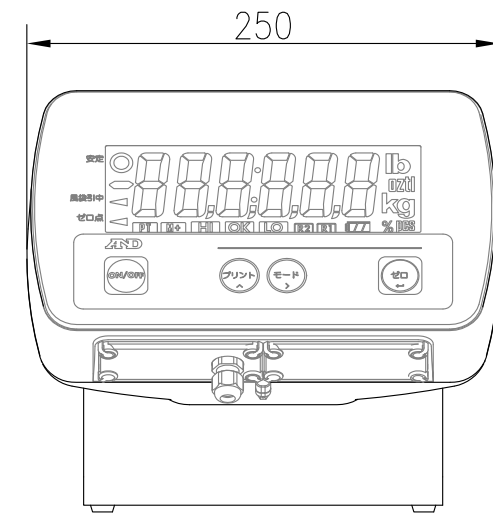


SC60KAL
SC150KAL



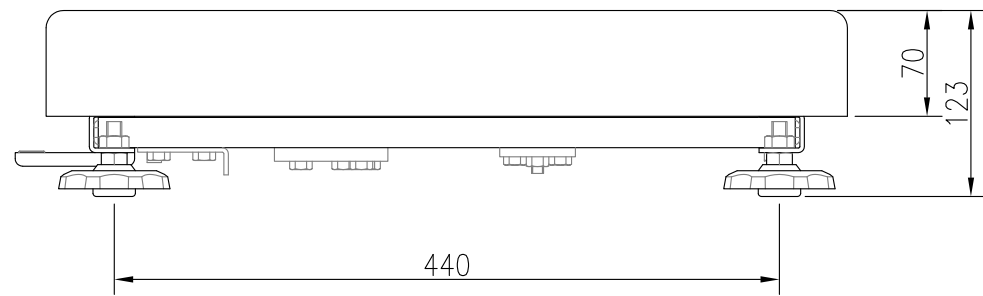
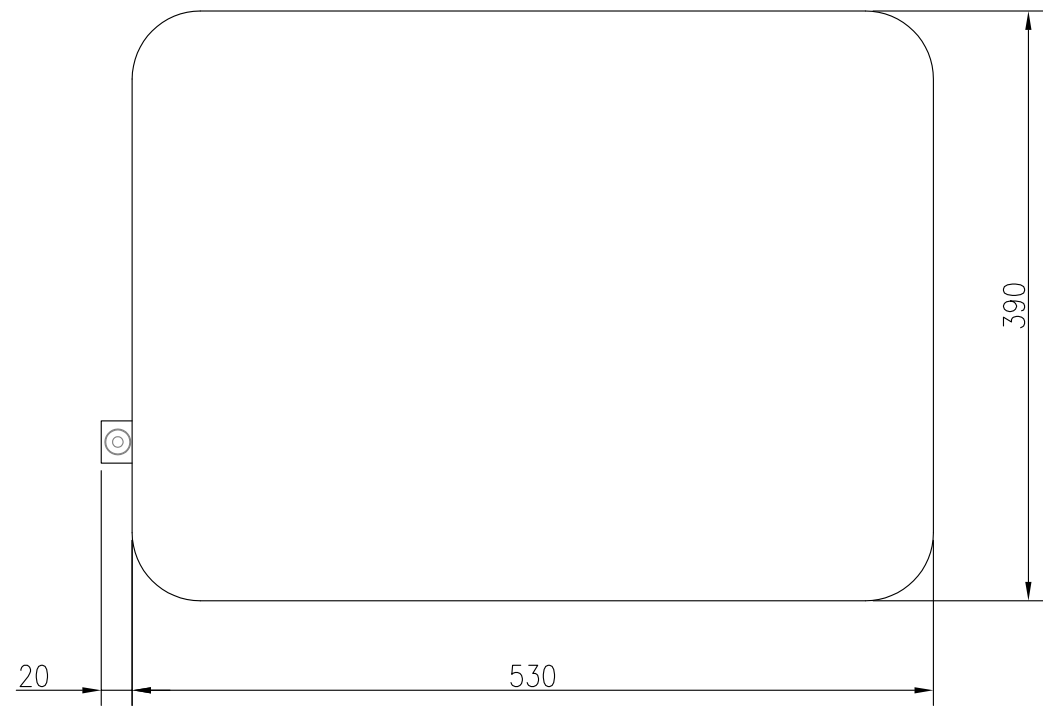


SC30KBM
SC60KBM
SC150KBM

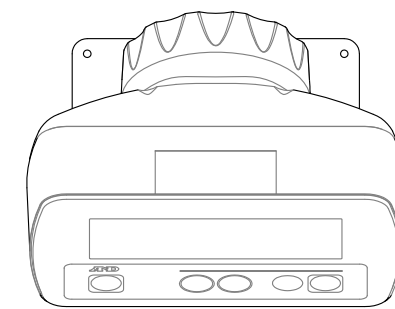
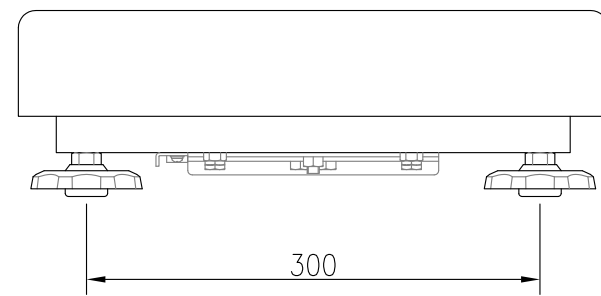


BASE

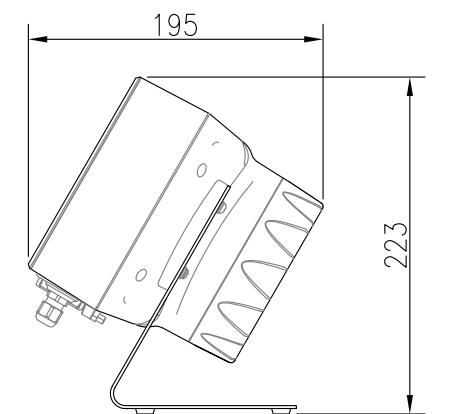
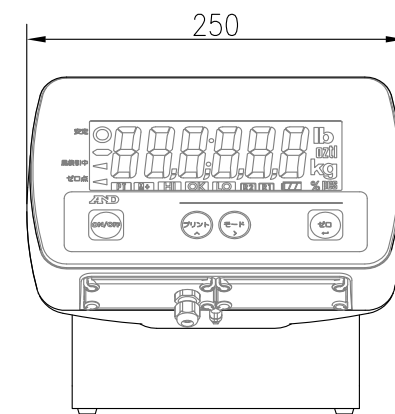
INDICATOR



BASE



SC60KBL
SC150KBL



INDICATOR