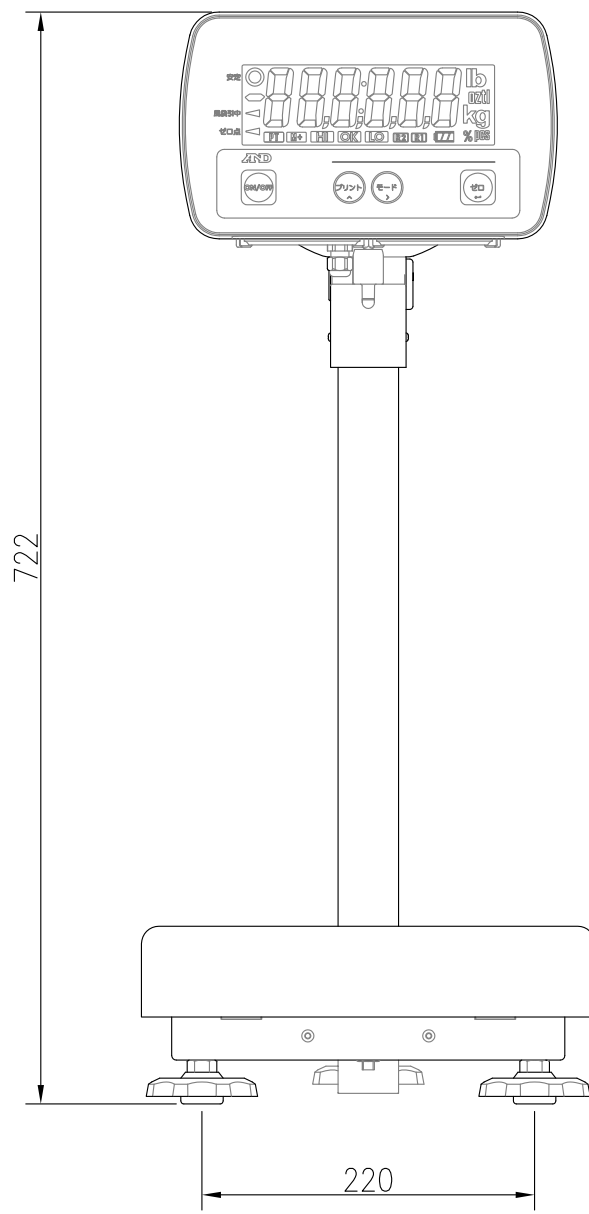
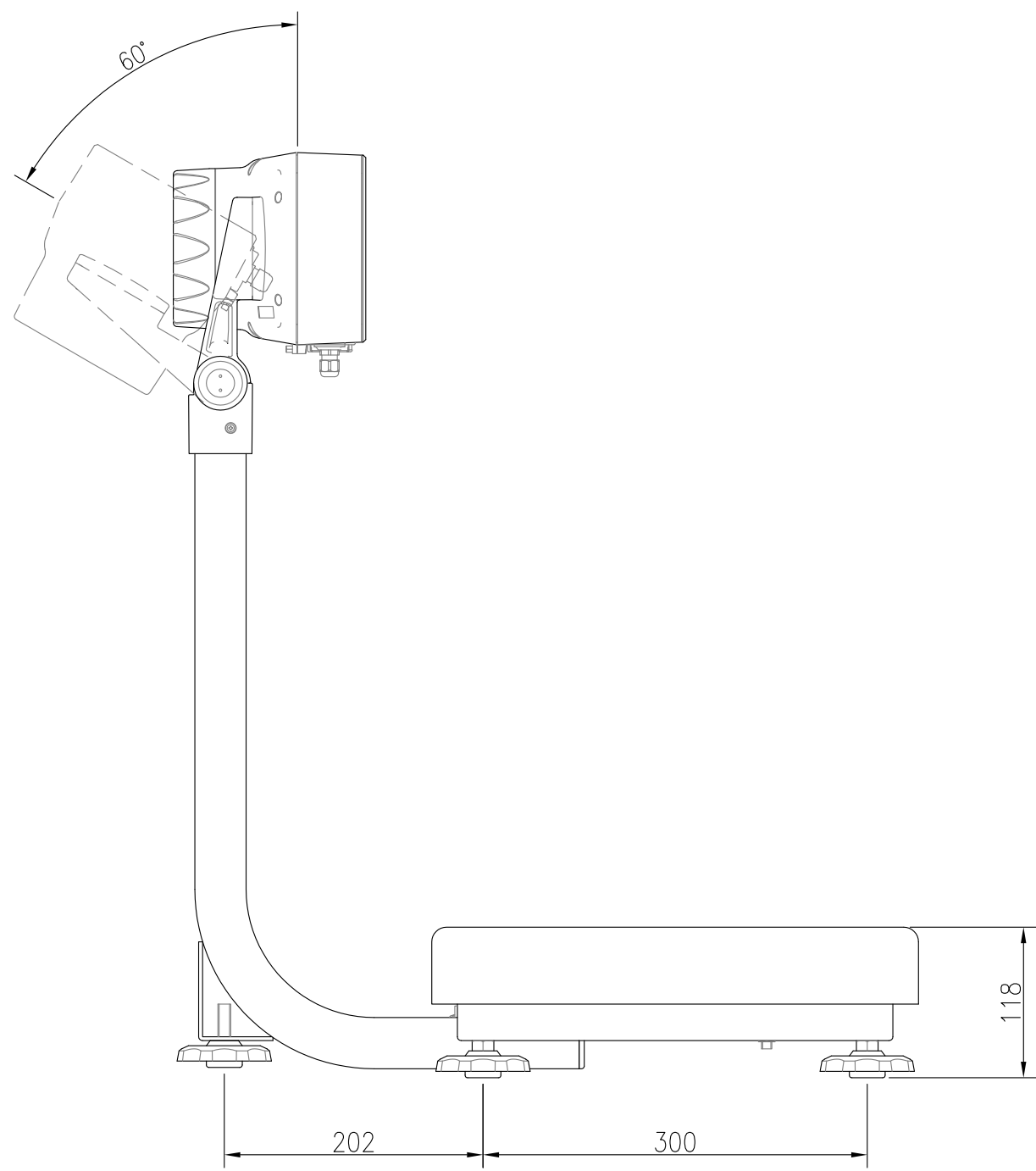
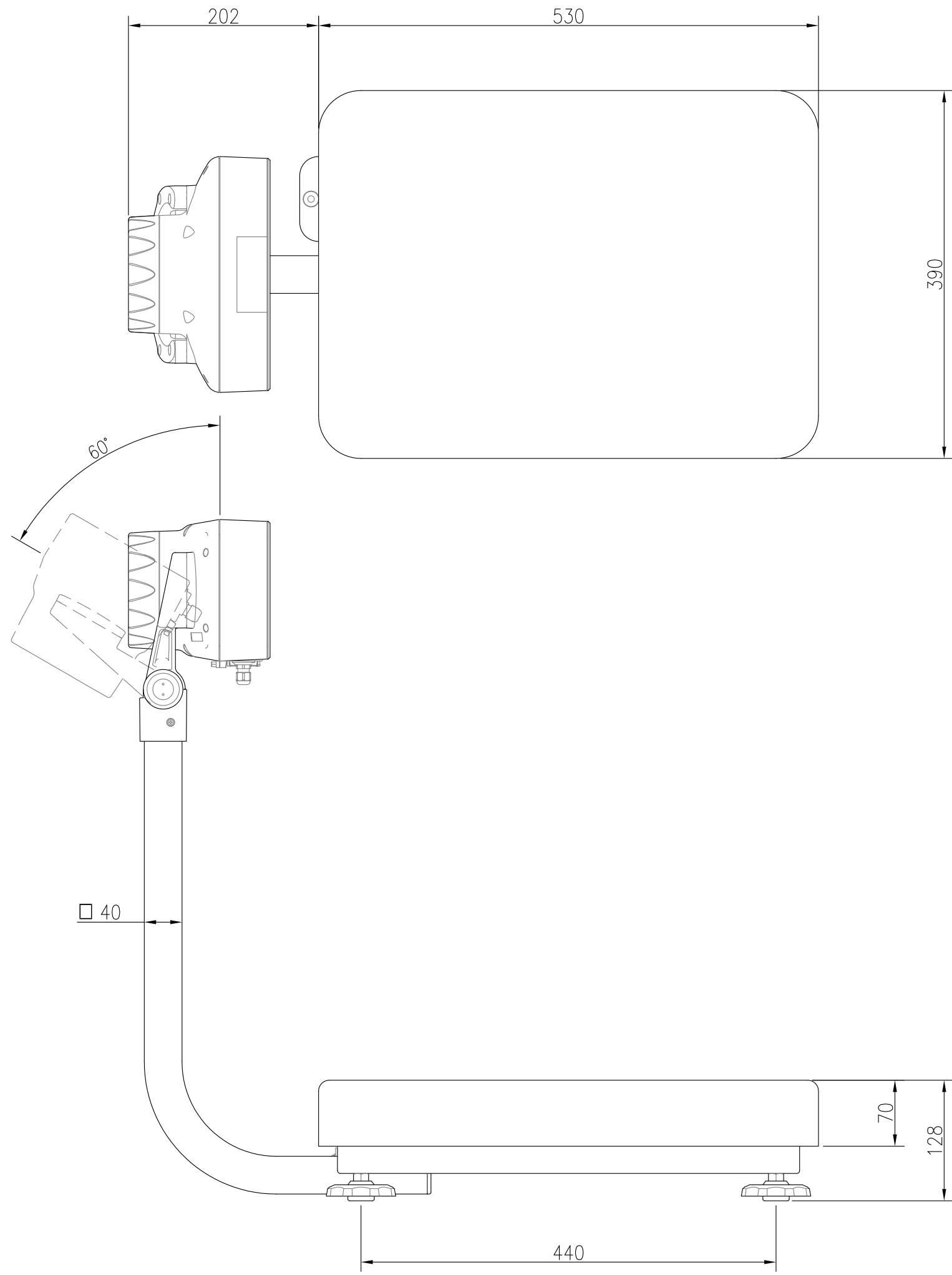
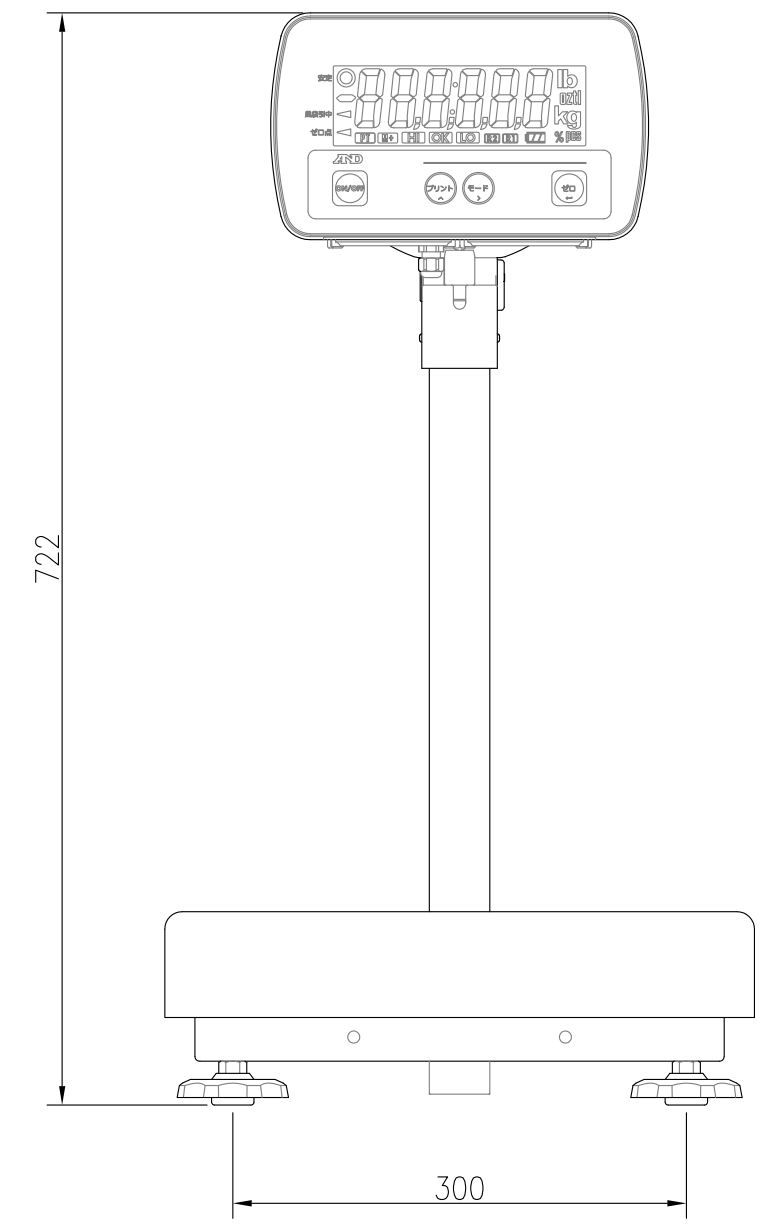


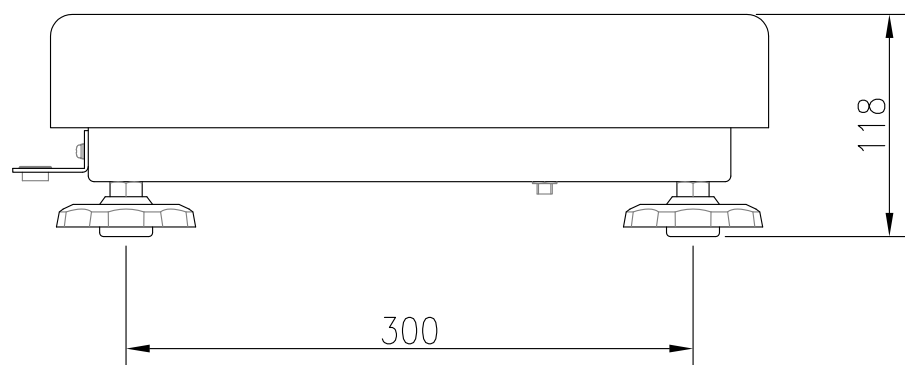
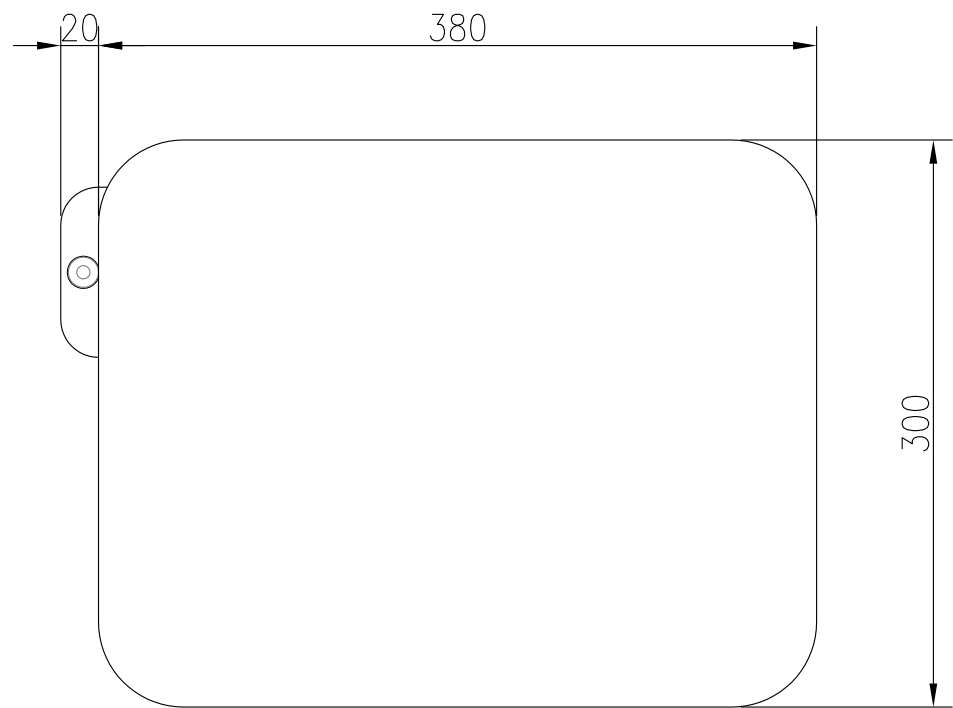
SE30KAM  
SE60KAM  
SE150KAM



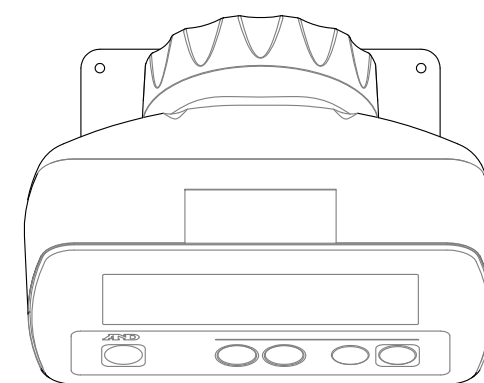
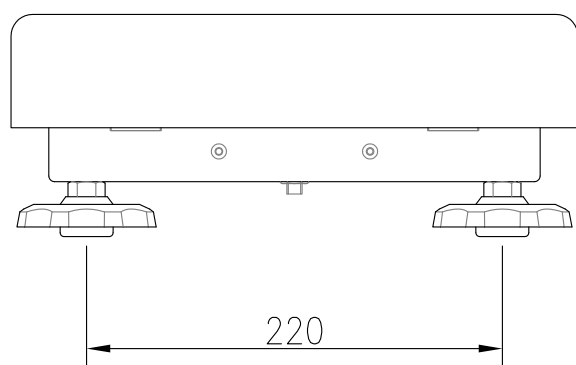


SE60KAL  
SE150KAL

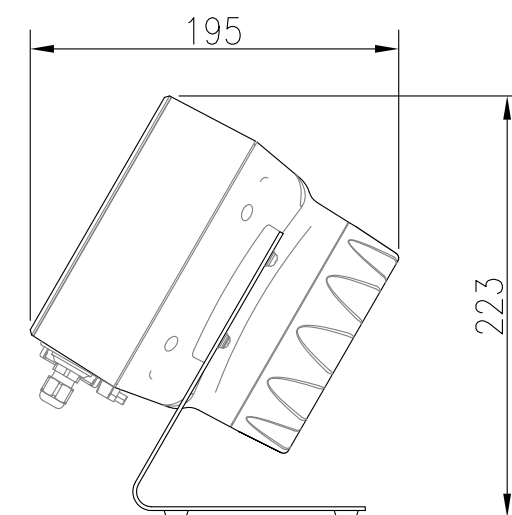
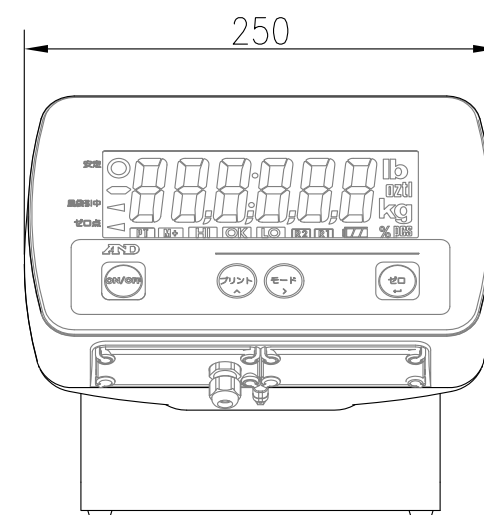




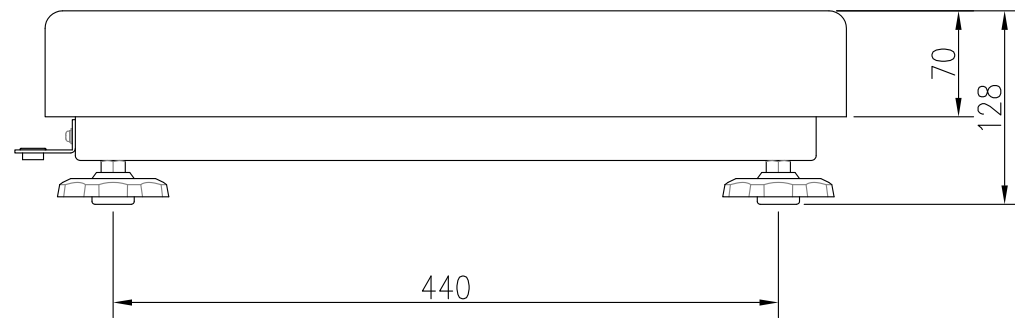
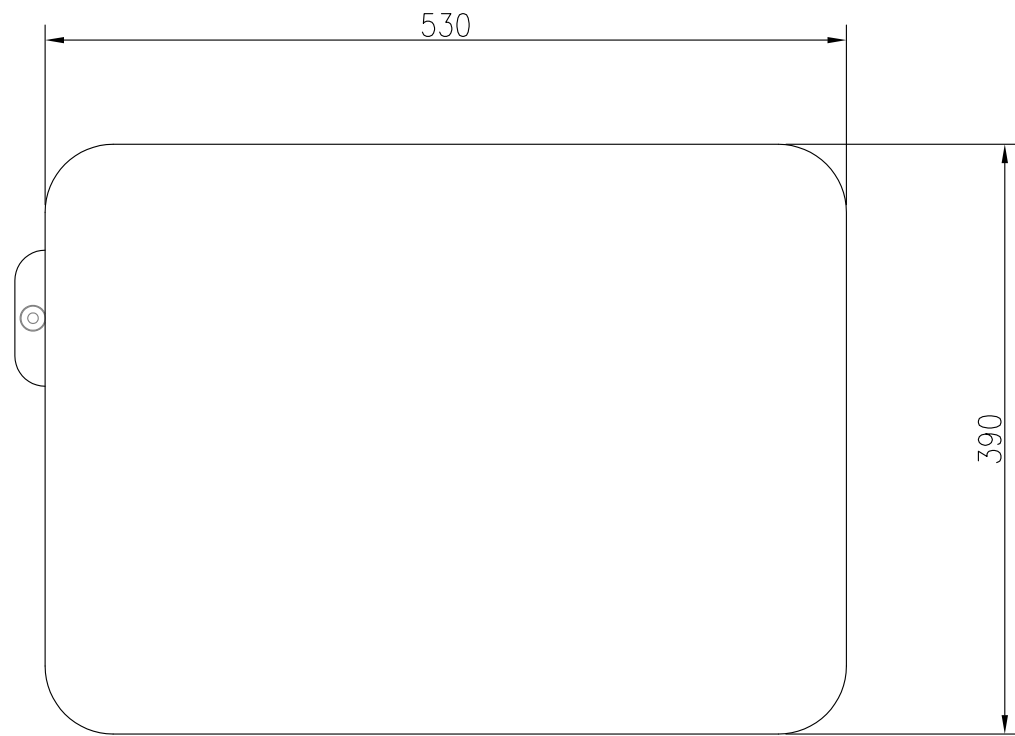
BASE



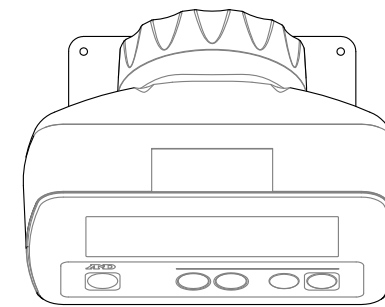
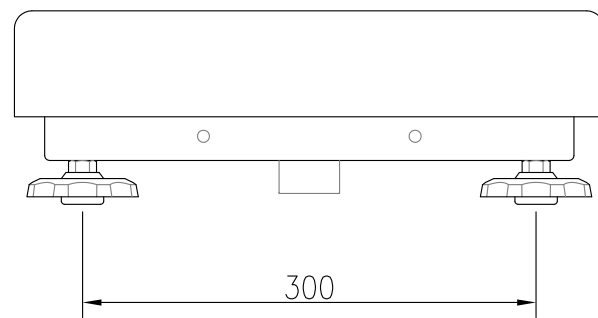
SE30KBM  
SE60KBM  
SE150KBM



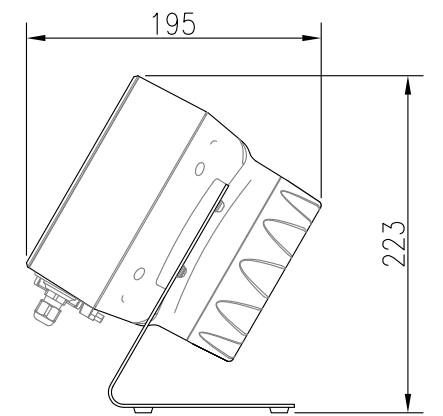
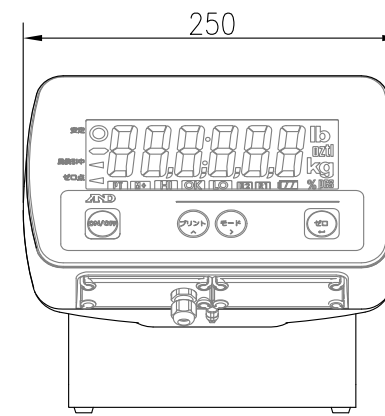
INDICATOR



BASE



SE60KBL  
SE150KBL



INDICATOR