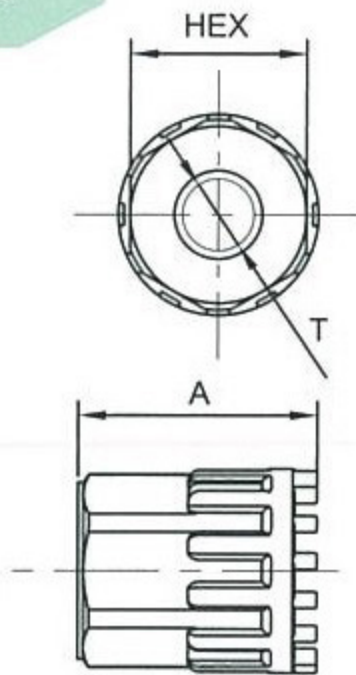


UN ユニオンナット



INCH TYPE

| | T | A | HEX |
|-----------|------------|------|-----|
| UN-H1X10 | 3.18X2.18 | 16.3 | 11 |
| UN-H2 X10 | 6.35X3.95 | 21.7 | 16 |
| UN-H3 X10 | 9.53X6.35 | 25.9 | 19 |
| UN-H4 X10 | 12.7X9.53 | 30.5 | 24 |
| UN-H6 X10 | 19.05X15.8 | 38.5 | 32 |
| UN-H8 X 5 | 25.4X22.2 | 45.5 | 41 |
| UN-H10 | 31.8X28 | 60.7 | 50 |
| UN-H12 | 38.1X33.7 | 68 | 60 |

MM TYPE

| | T | A | HEX |
|-----------|---------|------|-----|
| UN-M3X10 | 3X2 | 16.3 | 11 |
| UN-M4X10 | 4X3 | " | " |
| UN-M6 X10 | 6X4 | 21.7 | 16 |
| UN-M8 X10 | 8X6 | 25.9 | 19 |
| UN-M10X10 | 10X8 | 23.9 | " |
| UN-M12X10 | 12X10 | 30.5 | 24 |
| UN-M19X10 | 19X15.8 | 38.5 | 32 |
| UN-M25X5 | 25X22 | 45.5 | 41 |

UNIT:MM

全ての寸法は参考値です

Tは適用チューブの外径と内径を示します