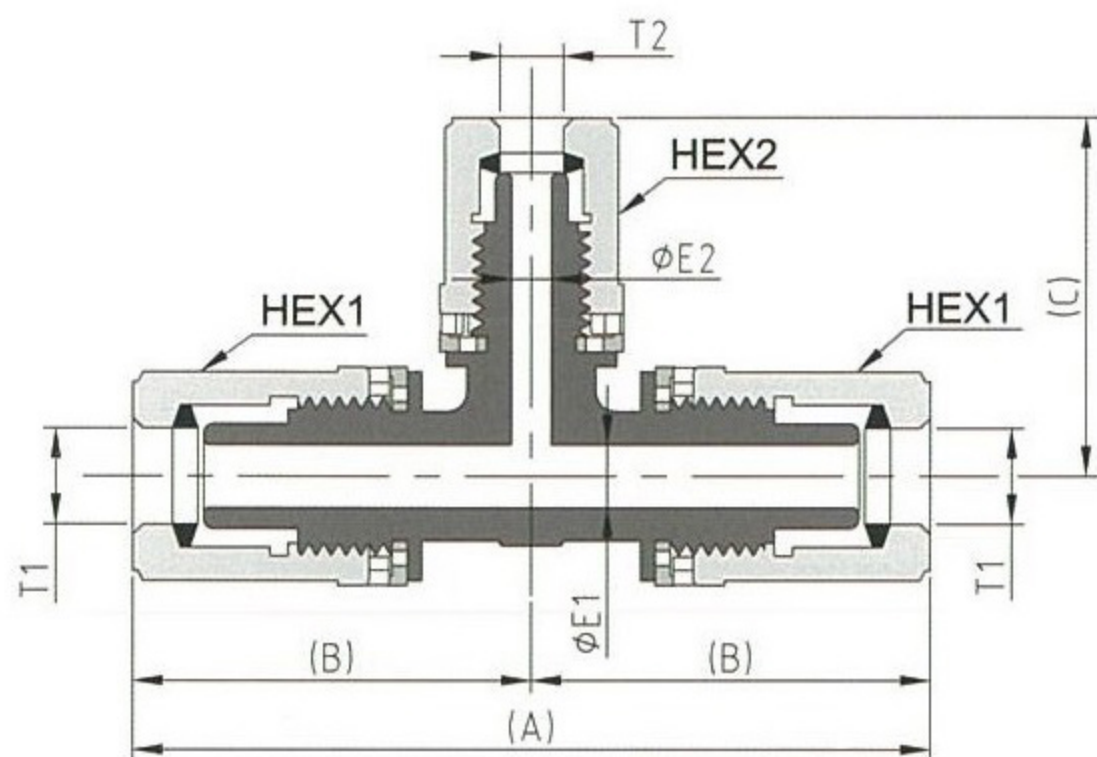


RUT レデュースングユニオンティ



INCH TYPE

	T1	T2	HEX1	HEX2	ØE1	ØE2	(A)	(B)	(C)	W
RUT-H3-H2-H3	9.53X6.35	6.35X3.95	19	16	6.3	4	80.3	40.2	36	14
RUT-H4-H2-H4	12.7X9.53	"	24	"	10	"	97	48.5	38.5	18
RUT-H4-H3-H4	"	9.53X6.35	"	19	"	6.3	"	"	42.7	"
RUT-H6-H3-H6	19.05X15.8	"	32	"	16	"	123	61.5	47.2	27
RUT-H6-H4-H6	"	12.7X9.53	"	24	"	10	"	"	53.1	"
RUT-H8-H3-H8	25.4X22.2	9.53X6.35	41	19	22	6.3	147	73.5	52.2	34
RUT-H8-H4-H8	"	12.7X9.53	"	24	"	10	"	"	58	"
RUT-H8-H6-H8	"	19.05X15.8	"	32	"	16	"	"	66.5	34
RUT-H10-H6-H10	31.8X28	19.05X15.8	50	32	28	16	194.6	97.3	72.5	40
RUT-H10-H8-H10	"	25.4X22.2	"	41	"	22	"	"	79.5	"
RUT-H12-H6-H12	38.1X33.7	19.05X15.8	60	32	33.7	16	217	108.5	77.3	48
RUT-H12-H8-H12	"	25.4X22.2	"	41	"	22	"	"	84.3	"
RUT-H12-H10-H12	"	31.8X28	"	50	"	28	"	"	102.2	"

MM TYPE

	T1	T2	HEX1	HEX2	ØE1	ØE2	(A)	(B)	(C)	W
RUT-M8-M6-M8	8X6	6X4	19	16	6.3	4	80.3	40.2	36	14
RUT-M10-M6-M10	10X8	"	"	"	8	"	"	"	"	"
RUT-M10-M8-M10	"	8X6	"	19	"	6.3	"	"	40.2	"
RUT-M12-M6-M12	12X10	6X4	24	16	10	4	97	48.5	38.5	18
RUT-M12-M8-M12	"	8X6	"	19	"	6.3	"	"	42.7	"
RUT-M12-M10-M12	"	10X8	"	"	"	8	"	"	"	"
RUT-M19-M10-M19	19X15.8	"	32	"	16	"	123	61.5	47.2	27
RUT-M19-M12-M19	"	12X10	"	24	"	10	"	"	53.1	"
RUT-M25-M8-M25	25X22	8X6	41	19	22	6.3	147	73.5	52.2	34
RUT-M25-M12-M25	"	12X10	"	24	"	10	"	"	58	"
RUT-M25-M19-M25	"	19X15.8	"	32	"	16	"	"	66.5	"

UNIT:MM

全ての寸法は参考値です

T1 "T2"は適用チューブの外径と内径を示します

Wは本体2面の幅を示します