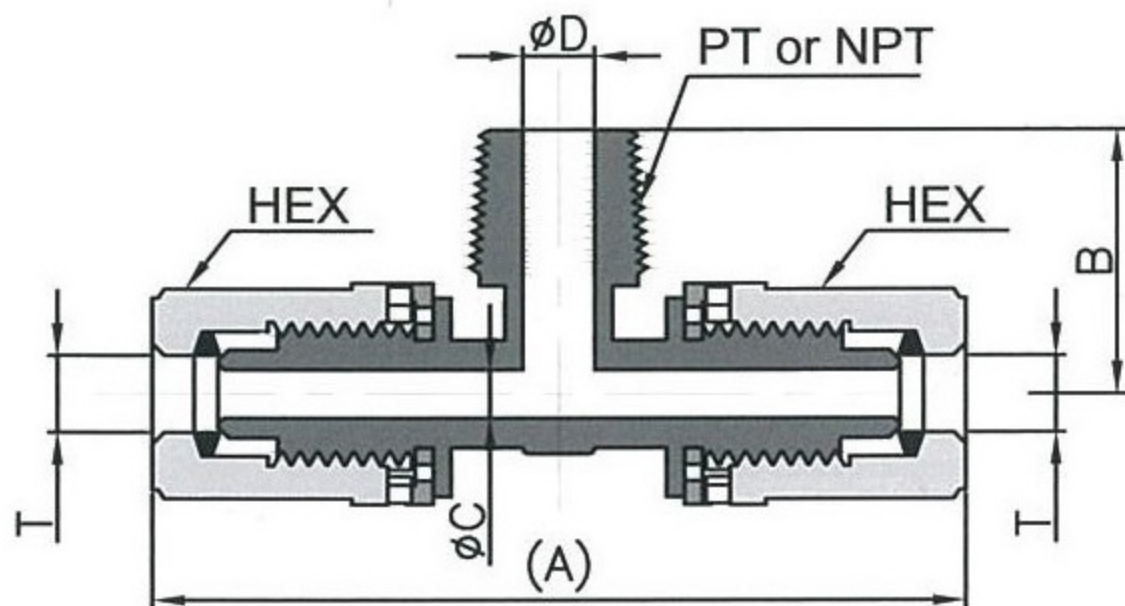


MBT メールブランチャティ



INCH TYPE

	T	NPT	HEX	(A)	B	ØC	ØD	W
* MBT-H2-N1	6.35X3.95	1/8"	16	68	18	4	3	10
MBT-H2-N2	"	1/4"	"	"	22	"	6	"
* MBT-H2-N3	"	3/8"	"	"	"	"	10	"
* MBT-H3-N2	9.53X6.35	1/4"	19	80.3	24	6.3	6	14
MBT-H3-N3	"	3/8"	"	"	"	"	10	"
* MBT-H3-N4	"	1/2"	"	"	27.8	"	12	"
* MBT-H4-N2	12.7X9.53	1/4"	24	97	26.5	10	6	18
* MBT-H4-N3	"	3/8"	"	"	26.5	"	10	"
MBT-H4-N4	"	1/2"	"	"	30.3	"	12	"
* MBT-H6-N4	19.05X15.8	1/2"	32	123	34.8	16	"	27
MBT-H6-N6	"	3/4"	"	"	37.1	"	16	"
* MBT-H8-N6	25.4X22.2	3/4"	41	147	42.1	22	"	34
MBT-H8-N8	"	1"	"	"	46.4	"	22	"

MM TYPE

	T	PT	HEX	(A)	B	ØC	ØD	W
* MBT-M6-R1	6X4	1/8"	16	68	18	4	3	10
MBT-M6-R2	"	1/4"	"	"	22	"	6	"
* MBT-M6-R3	"	3/8"	"	"	"	"	10	"
* MBT-M8-R1	8X6	1/8"	19	80.3	20	6.3	3	14
MBT-M8-R2	"	1/4"	"	"	24	"	6	"
* MBT-M8-R3	"	3/8"	"	"	"	"	10	"
* MBT-M10-R2	10X8	1/4"	"	"	"	8	6	"
MBT-M10-R3	"	3/8"	"	"	"	"	10	"
* MBT-M10-R4	"	1/2"	"	"	27.8	"	12	"
* MBT-M12-R2	12X10	1/4"	24	97	26.5	10	6	18
* MBT-M12-R3	"	3/8"	"	"	"	"	10	"
MBT-M12-R4	"	1/2"	"	"	30.3	"	12	"
* MBT-M19-R4	19X15.8	"	32	123	34.8	16	"	27
MBT-M19-R6	"	3/4"	"	"	37.1	"	16	"
* MBT-M25-R6	25X22	"	41	147	42.1	22	"	34
MBT-M25-R8	"	1"	"	"	46.4	"	22	"

UNIT:MM

全ての寸法は参考値です

Tは適用チューブの外径と内径を示します

Wは本体2面の幅を示します

*印は受注製品となります