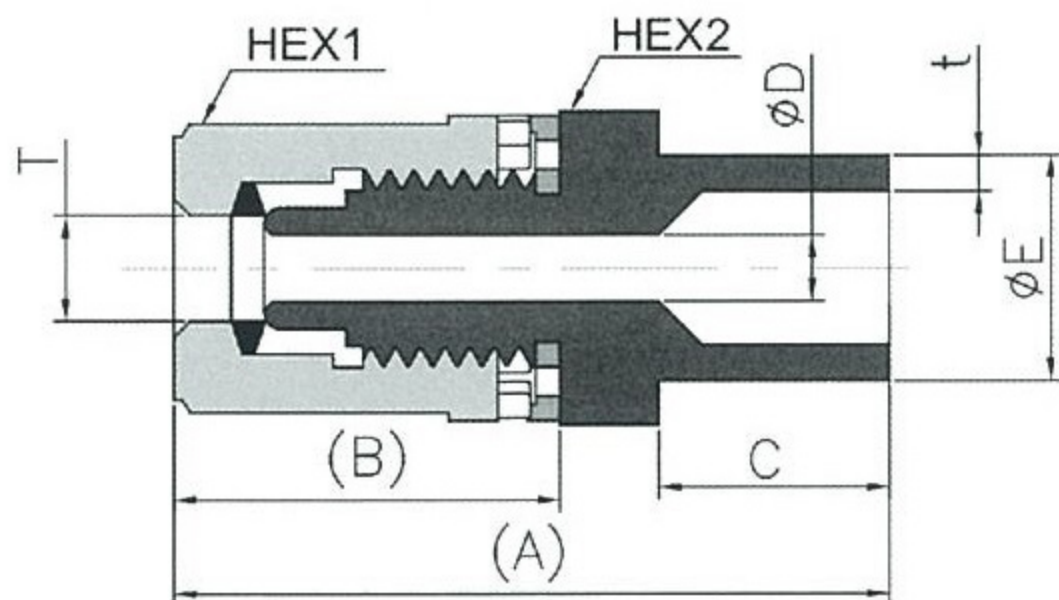


UA ユニオンアダプタ



INCH TYPE

	T	HEX1	HEX2	(A)	(B)	C	ØD	ØE	t
UA-H2-B2	6.35X3.95	16	20	43.5	23.5	14	4	13.7	2.2
UA-H2-B4	"	"	"	68.5	23.5	39	"	21.3	2.8
UA-H3-B2	9.53X6.35	19	23	47.7	27.7	14	6.3	13.7	2.2
UA-H3-B4	"	"	"	72.7	"	39	"	21.3	2.8
UA-H3-B6	"	"	"	"	"	39	"	26.7	2.9
UA-H4-B2	12.7X9.53	24	29	54.3	33	14	10	13.7	2.2
UA-H4-B4	"	"	"	79.3	"	39	"	21.3	2.8
UA-H4-B6	"	"	"	"	"	"	"	26.7	2.9
UA-H4-B8	"	"	"	"	"	"	"	33.4	3.4
UA-H6-B4	19.05X15.8	32	38	87.3	41	"	16	21.3	2.8
UA-H6-B6	"	"	"	"	"	"	"	26.7	2.9
UA-H6-B8	"	"	"	"	"	"	"	33.4	3.4
UA-H8-B6	25.4X22.2	41	49	94.3	48	"	22	26.7	2.9
UA-H8-B8	"	"	"	"	"	"	"	33.4	3.4

MM TYPE

	T	HEX1	HEX2	(A)	(B)	C	ØD	ØE	t
UA-M6-B2	6X4	16	20	43.5	23.5	14	4	13.7	2.2
UA-M6-B4	"	"	"	68.5	"	39	"	21.3	2.8
UA-M10-B2	10X8	19	23	47.7	27.7	14	8	13.7	2.2
UA-M10-B4	"	"	"	72.7	"	39	"	21.3	2.8
UA-M10-B6	"	"	"	"	"	"	"	26.7	2.9
UA-M12-B2	12X10	24	29	54.3	33	14	10	13.7	2.2
UA-M12-B4	"	"	"	79.3	"	39	"	21.3	2.8
UA-M12-B6	"	"	"	"	"	"	"	26.7	2.9
UA-M12-B8	"	"	"	"	"	"	"	33.4	3.4
UA-M19-B4	19X15.8	32	38	87.3	41	"	16	21.3	2.8
UA-M19-B6	"	"	"	"	"	"	"	26.7	2.9
UA-M19-B8	"	"	"	"	"	"	"	33.4	3.4
UA-M25-B6	25X22	41	49	94.3	48	"	22	26.7	2.9
UA-M25-B8	"	"	"	"	"	"	"	33.4	3.4

UNIT:MM

全ての寸法は参考値です
Tは適用チューブの外径と内径を示します