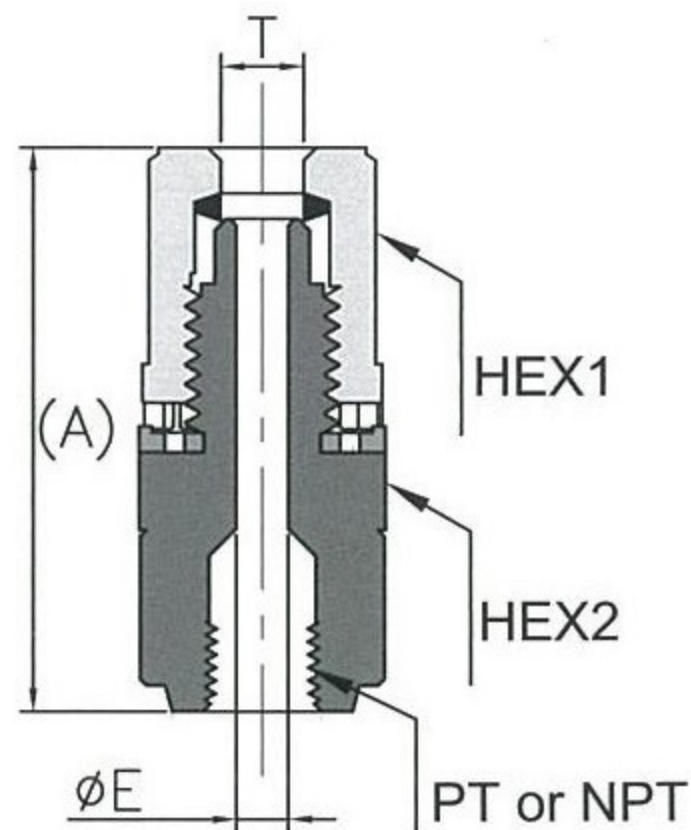


# FC フィメールコネクタ



## INCH TYPE

	T	NPT	HEX1	HEX2	(A)	ØE
FC-H2-N1	6.35X3.95	1/8"	16	20	40.5	4
FC-H2-N2	"	1/4"	"	"	43.5	"
FC-H2-N3	"	3/8"	"	23	44	"
FC-H3-N2	9.53X6.35	1/4"	19	"	47.7	6.3
FC-H3-N3	"	3/8"	"	"	48.2	"
FC-H3-N4	"	1/2"	"	25	52.2	"
FC-H4-N2	12.7X9.53	1/4"	24	29	54.3	10
FC-H4-N3	"	3/8"	"	"	54.8	"
FC-H4-N4	"	1/2"	"	"	58.8	"
FC-H6-N4	19.05X15.8	1/2"	32	38	66.8	16
FC-H6-N6	"	3/4"	"	"	67.3	"
FC-H8-N6	25.4X22.2	3/4"	41	49	74.3	22
FC-H8-N8	"	1"	"	"	78.3	"

	T	PT	HEX1	HEX2	(A)	ØE
FC-M6-R1	6X4	1/8"	16	20	40.5	4
FC-M6-R2	"	1/4"	"	"	43.5	"
FC-M6-R3	"	3/8"	"	23	44	"
FC-M8-R1	8X6	1/8"	19	"	44.6	6.3
FC-M8-R2	"	1/4"	"	"	47.7	"
FC-M8-R3	"	3/8"	"	"	48.2	"
FC-M10-R2	10X8	1/4"	"	"	47.7	8
FC-M10-R3	"	3/8"	"	"	48.2	"
FC-M10-R4	"	1/2"	"	29	52.2	"
FC-M12-R2	12X10	1/4"	24	"	54.3	10
FC-M12-R3	"	3/8"	"	"	54.8	"
FC-M12-R4	"	1/2"	"	"	58.8	"
FC-M19-R4	19X15.8	"	32	38	66.8	16
FC-M19-R6	"	3/4"	"	"	67.3	"
FC-M25-R6	25X22	"	41	49	74.3	22
FC-M25-R8	"	1"	"	"	78.3	"

UNIT:MM

全ての寸法は参考値です

Tは適用チューブの外径と内径を示します