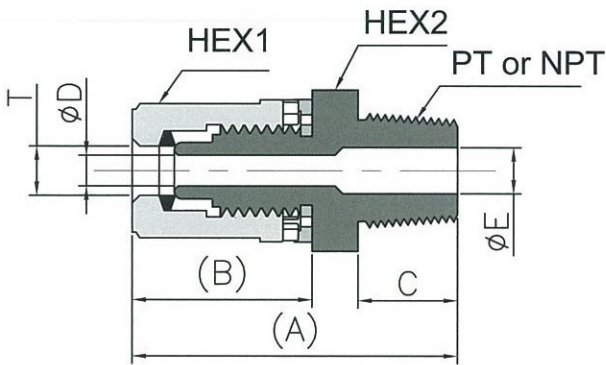


MC メールコネクタ



IINCH+NPT TYPE

	T	NPT	HEX1	HEX2	(A)	(B)	C	ØD	ØE
MC-H1-N1	3.18X2.18	1/8"	11	13	33.3	18.3	9	2	3
MC-H1-N2	"	1/4"	"	"	37.3	18.3	13	"	6
MC-H2-N1	6.35X3.95	1/8"	16	20	38.5	23.5	9	4	3
MC-H2-N2	"	1/4"	"	"	42.5	"	13	"	6
MC-H2-N3	"	3/8"	"	"	"	"	"	"	10
MC-H3-N2	9.53X6.35	1/4"	19	23	46.7	27.7	"	6.3	6.3
MC-H3-N3	"	3/8"	"	"	"	"	"	"	10
MC-H3-N4	"	1/2"	"	"	50.5	"	16.8	"	12
MC-H4-N2	12.7X9.53	1/4"	24	29	52.3	33	13	10	6
MC-H4-N3	"	3/8"	"	"	"	"	"	"	10
MC-H4-N4	"	1/2"	"	"	57.1	"	16.8	"	12
MC-H4-N6	"	3/4"	"	"	57.4	"	17.1	"	16
MC-H6-N4	19.05X15.8	1/2"	32	38	65.1	41	16.8	16	12
MC-H6-N6	"	3/4"	"	"	65.4	"	17.1	"	16
MC-H6-N8	"	1"	"	"	69.7	"	21.4	"	22
MC-H8-N6	25.4X22.2	3/4"	41	49	72.4	48	17.1	22	16
MC-H8-N8	"	1"	"	"	76.7	"	21.4	"	22
MC-H10-N10	31.8x28	1 1/4"	50	60	102.3	65.3	25	28	28
MC-H12-N12	38.1x33.7	1 1/2"	60	70	111.6	71.6	28	33.7	33.7

MM+PT TYPE

	T	PT	HEX1	HEX2	(A)	(B)	C	ØD	ØE
MC-M3-R1	3X2	1/8"	11	13	33.3	18.3	9	2	3
MC-M3-R2	"	1/4"	"	"	37.3	"	13	2	6
MC-M4-R1	4X3	1/8"	11	13	33.3	18.3	"	3	"
MC-M4-R2	"	1/4"	"	"	37.3	"	13	3	6
MC-M6-R1	6X4	1/8"	16	20	38.5	23.5	9	4	3
MC-M6-R2	"	1/4"	"	"	42.5	"	13	"	6
MC-M6-R3	"	3/8"	"	"	"	"	"	"	10
MC-M8-R1	8X6	1/8"	19	23	38.5	27.7	9	6.3	3
MC-M8-R2	"	1/4"	"	"	46.7	"	13	"	6.3
MC-M8-R3	"	3/8"	"	"	"	"	"	"	10
MC-M8-R4	"	1/2"	"	"	50.5	"	16.8	"	12
MC-M10-R2	10X8	1/4"	"	"	46.7	"	13	8	6
MC-M10-R3	"	3/8"	"	"	"	"	"	"	10
MC-M10-R4	"	1/2"	"	"	50.5	"	16.8	"	12
MC-M12-R2	12X10	1/4"	24	29	52.3	33	13	10	6
MC-M12-R3	"	3/8"	"	"	"	"	"	"	10
MC-M12-R4	"	1/2"	"	"	57.1	"	16.8	"	12
MC-M12-R6	"	3/4"	"	"	57.4	"	17.1	"	16
MC-M19-R4	19X15.8	1/2"	32	38	65.1	41	16.8	16	12
MC-M19-R6	"	3/4"	"	"	65.4	"	17.1	"	16
MC-M19-R8	"	1"	"	"	69.7	"	21.4	"	22
MC-M25-R6	25X22	3/4"	41	49	72.4	48	17.1	22	16
MC-M25-R8	"	1"	"	"	76.7	"	21.4	"	22

IINCH+PT TYPE

	T	PT	HEX1	HEX2	(A)	(B)	C	ØD	ØE
MC-H1-R1	3.18X2.18	1/8"	11	13	33.3	18.3	9	2	3
MC-H1-R2	"	1/4"	"	"	37.3	"	13	2	6
MC-H2-R1	6.35X3.95	1/8"	16	20	38.5	23.5	9	4	3
MC-H2-R2	"	1/4"	"	"	42.5	"	13	"	6
MC-H2-R3	"	3/8"	"	"	"	"	"	"	10
MC-H3-R2	9.53X6.35	1/4"	19	23	46.7	27.7	"	6.3	6.3
MC-H3-R3	"	3/8"	"	"	"	"	"	"	10
MC-H3-R4	"	1/2"	"	"	50.5	"	16.8	"	12
MC-H4-R2	12.7X9.53	1/4"	24	29	52.3	33	13	10	6
MC-H4-R3	"	3/8"	"	"	"	"	"	"	10
MC-H4-R4	"	1/2"	"	"	57.1	"	16.8	"	12
MC-H4-R6	"	3/4"	"	"	57.4	"	17.1	"	16
MC-H6-R4	19.05X15.8	1/2"	32	38	65.1	41	16.8	16	12
MC-H6-R6	"	3/4"	"	"	65.4	"	17.1	"	16
MC-H6-R8	"	1"	"	"	69.7	"	21.4	"	22
MC-H8-R6	25.4X22.2	3/4"	41	49	72.4	48	17.1	22	16
MC-H8-R8	"	1"	"	"	76.7	"	21.4	"	22

UNIT:MM

全ての寸法は参考値です
Tは適用チューブの外径と内径を示します