

図1

2-M 120°

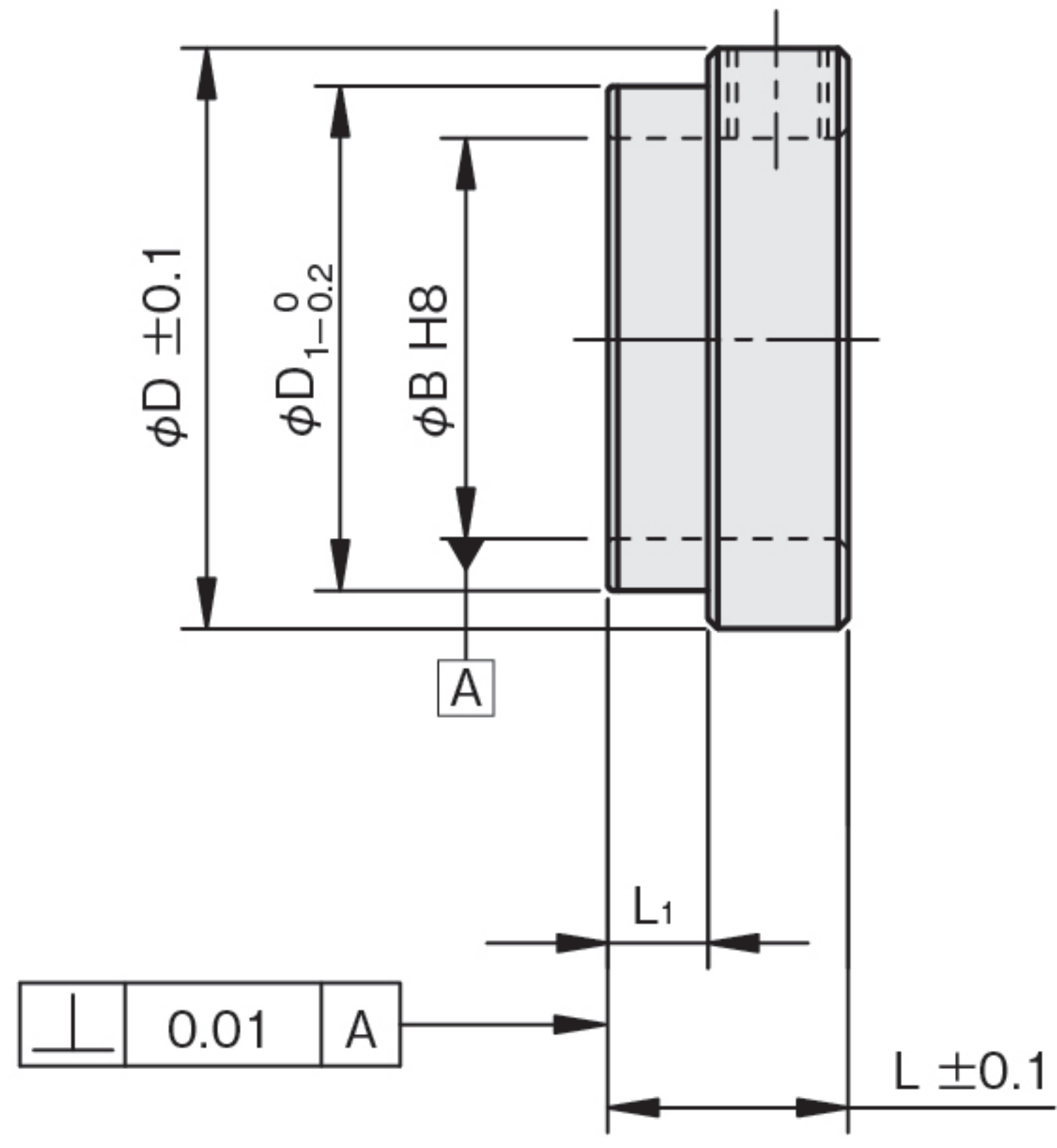
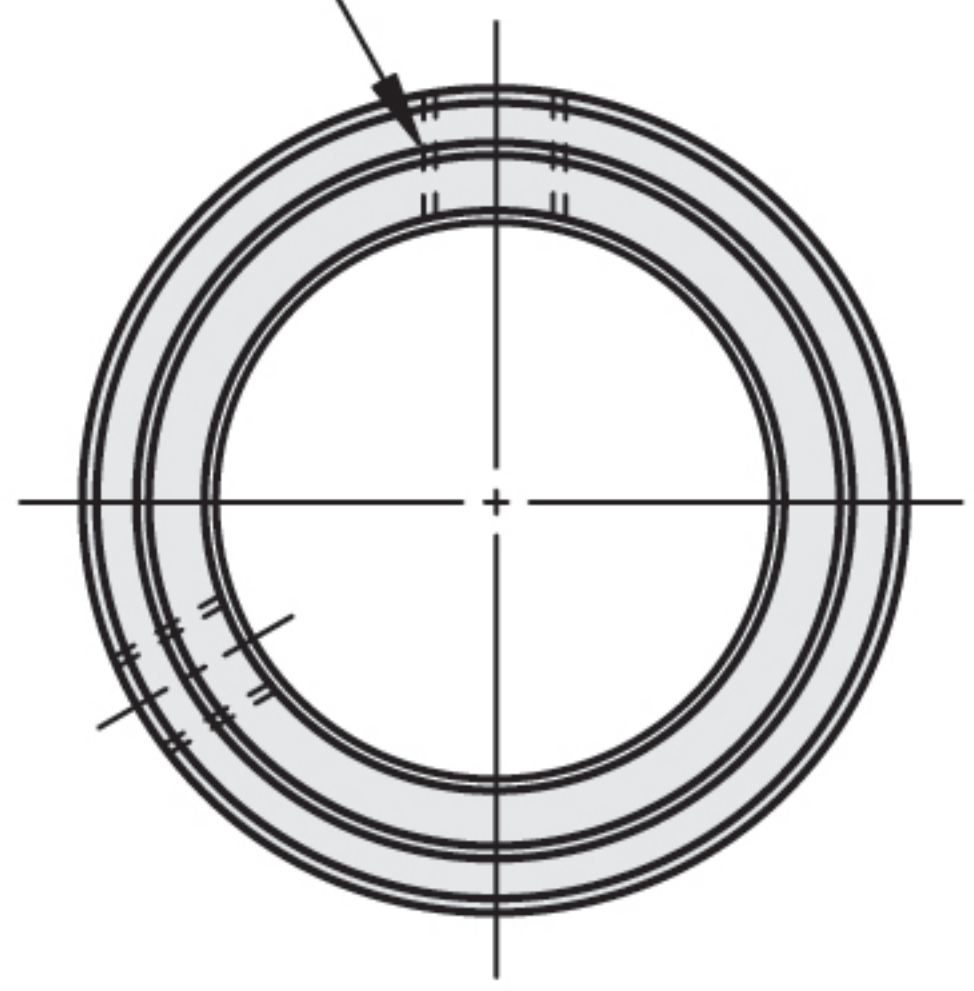


図2(表中★印)

2-M 120°

