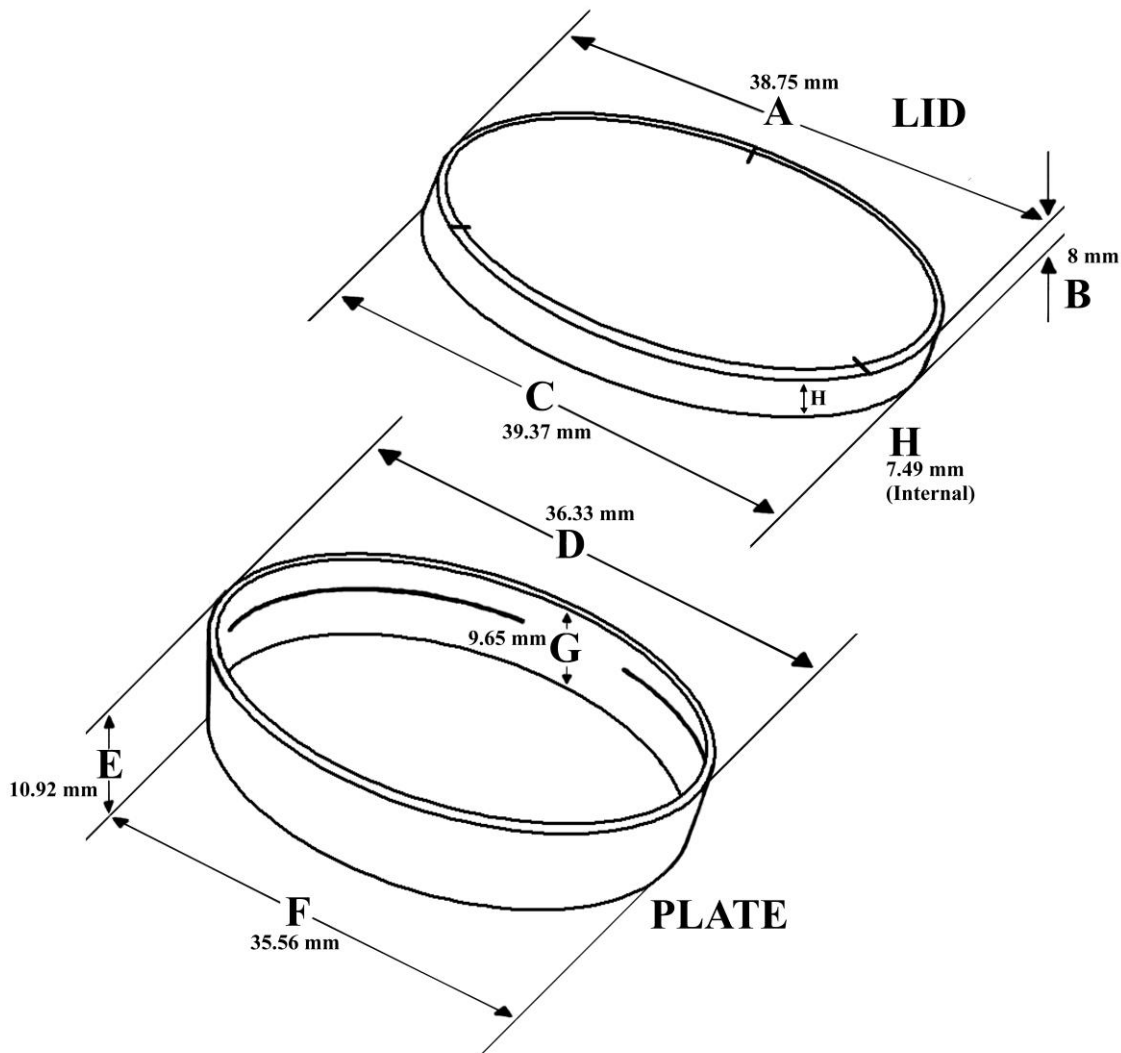


# MatTek Corporation

---

## Glass Bottom Petri Dish Dimensions

**Part numbers:** All part #s beginning with P35G-  
(note: glass bottom not shown)



\\172.17.50.163\share\data\YSU共有フォルダ\メーカー別製品資料\MatTek\MatTek技術資料\Dimension\35mm\35 mm dish dimensions.doc

200 Homer Avenue  
Ashland MA 01721

Web Site: [www.mattek.com](http://www.mattek.com) Email: [information@mattek.com](mailto:information@mattek.com)

(508) 881-6771  
Fax (508) 879-1532