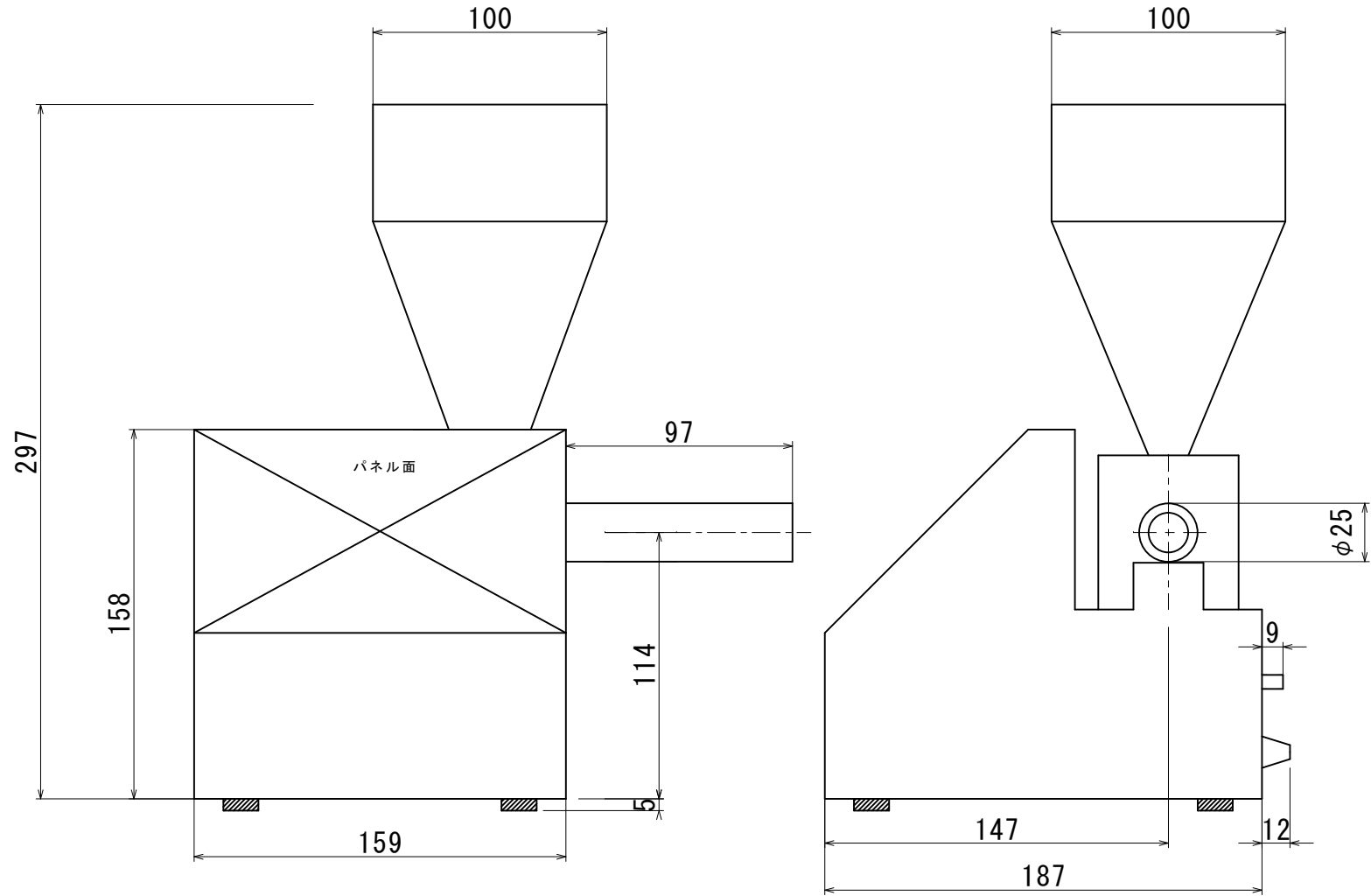


4-803-01



					UNIT mm	USED ON	Q'TY	UNIT	Model	NAME	APPD
					SCALE	Material		Finish		粉体計量供給機	
										NO.	PREP
MARK	REVISE	PREP	APPD	DATE						PSF-100SA	