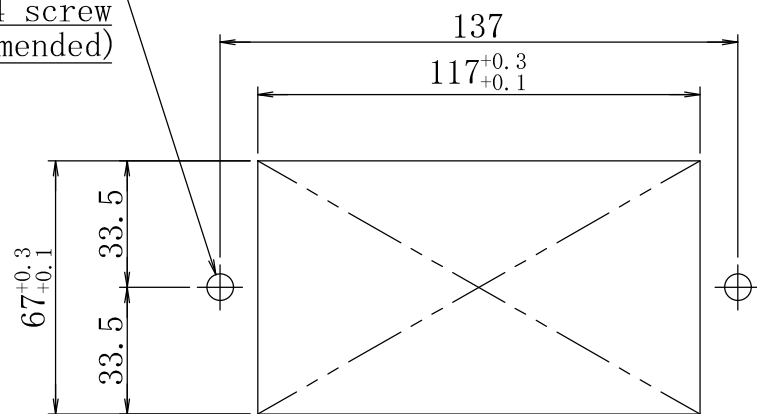


Mounting hole (M3 screw or M4 screw recommended)



For panel mounting, recommended panel cut demmensions. (scale1/2)

Specifications and design is subject to change without notice.

SCALE 1 / 1 [Unit:mm]	KASUGA DENKI, INC.
DATE '20, 3, 3	Title ASIBS-CB ASIBS ControlBox
	DRAW No. 8553NA00051E_H