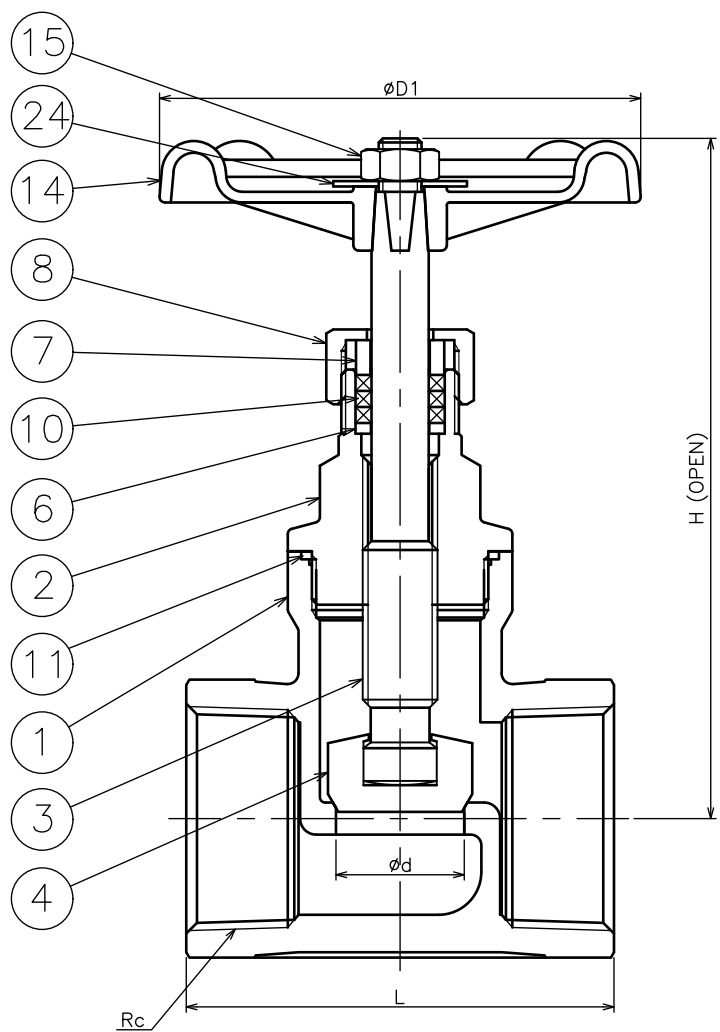
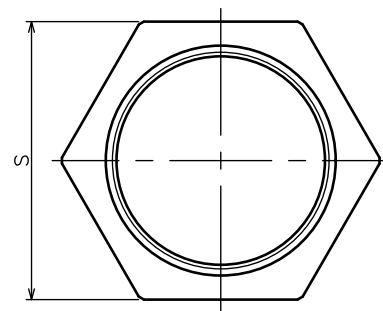


REV.	DATE	DESCRIPTION	NAME
◇			



SIZE	ϕd	L	Rc	S	H	$\phi D1$
8A	$\phi 9$	44	Rc1/4	20	104	$\phi 70$
10A	$\phi 9$	48	Rc3/8	24	104	$\phi 70$
15A	$\phi 9$	52	Rc1/2	28	104	$\phi 70$
20A	$\phi 14$	60	Rc3/4	34	112	$\phi 70$
25A	$\phi 19$	72	Rc1	41	118	$\phi 70$
32A	$\phi 24$	80	Rc1 1/4	52	139	$\phi 90$
40A	$\phi 31$	90	Rc1 1/2	58	150	$\phi 90$
50A	$\phi 39$	100	Rc2	70	168	$\phi 100$



No.	PARTS NAME	MAT'L	Q'ty	REMARKS
24	NAME PLATE	ALUMINUM	1	
15	HANDLE NUT	SUS304	1	
14	HANDLE	ALUMINUM	1	
11	GASKET	PTFE	1	
10	GLAND PACKING	EXPANDED GRAPHITE	1set	BRAIDE GRAPHITE COVERED PTFE
8	GLAND NUT	SCS13A	1	
7	GLAND	SUS304	1	
6	PACKING WASHER	SUS304	1	
4	DISC	SCS13A	1	
3	STEM	SUS304	1	
2	BONNET	SCS13A	1	
1	BODY	SCS13A	1	

DWG. NAME		GLOBE VALVE 8A~ 50A		DESCRIPTION	
TYPE		CGW-PS1-()		SCALE	FREE
				DATE	2020.08.20
DWG No.	GLD-20200866A-0			APPV'D	CHK'D
				DR'N	
CONSUSS CORPORATION				内 '20.08.20 藤	達 '20.08.20 坂
				角 '20.08.20	