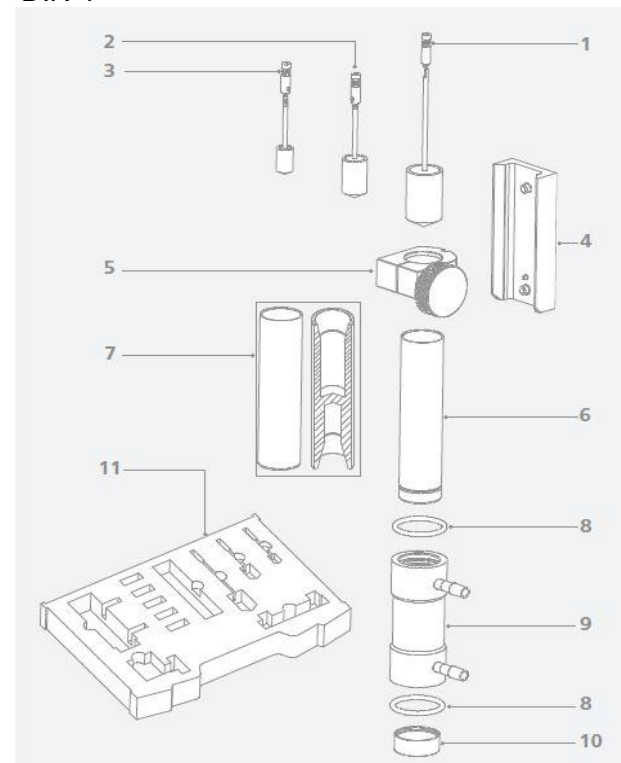


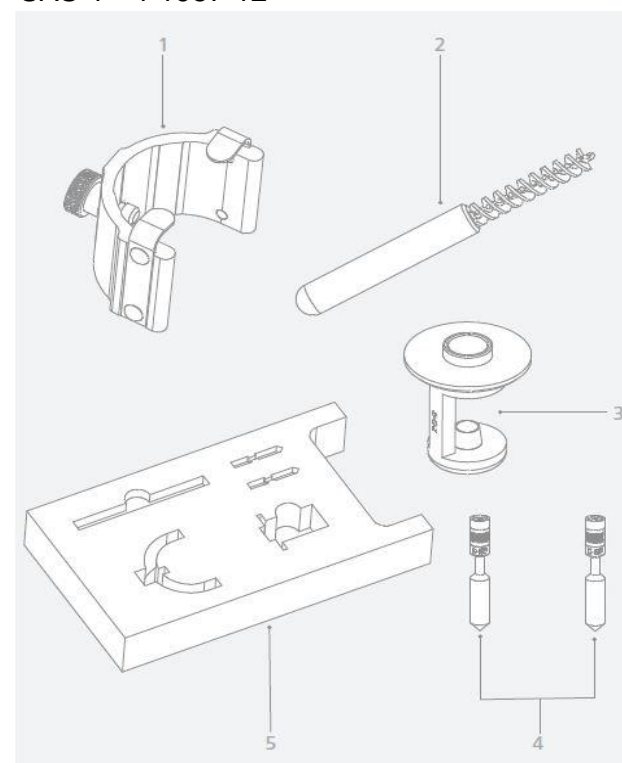
IKA 粘度計アクセサリ

4-1987-11
DIN-1



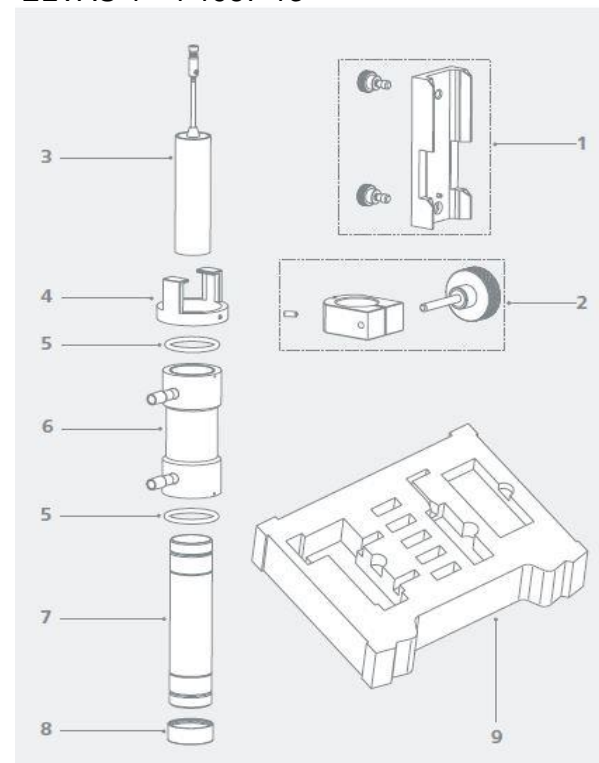
- | | |
|-------------------------|-------------------|
| 1 Spindle DIN-SP-5 | 7 Chamber DIN-C-2 |
| 2 Spindle DIN-SP-6 | 8 O-ring |
| 3 Spindle DIN-SP-7 | 9 Water jacket |
| 4 Locating channel asse | 10 Chamber cap |
| 5 Collar assembly | 11 Carrying case |
| 6 Chamber DIN-C-1 | |

4-1987-12
SAS-1 4-1987-12



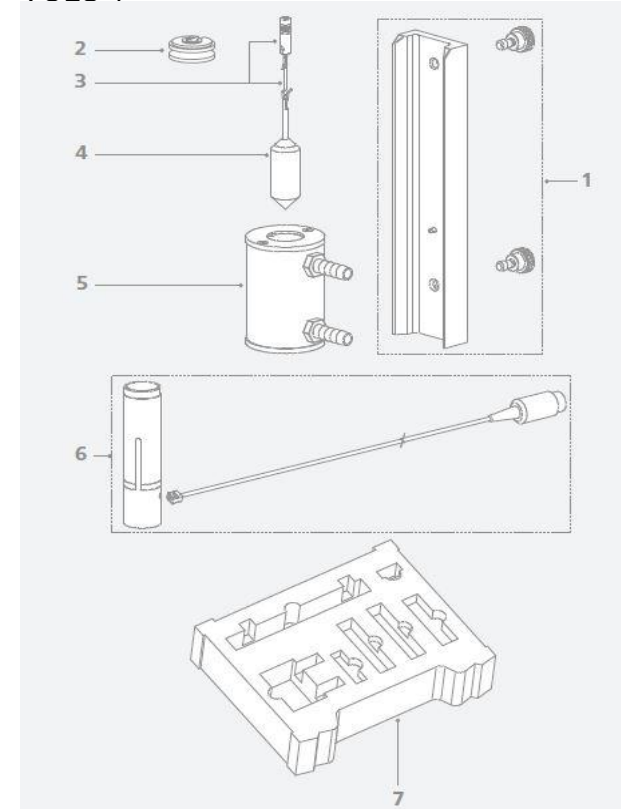
- | | |
|------------------------|-----------------|
| 1 Spiral holder SAS1.1 | 4 Spindle S-SP |
| 2 Cleaning brush SCB | 5 Carrying case |
| 3 Chamber S-C-1 | |

4-1987-13
ELVAS-1 4-1987-13



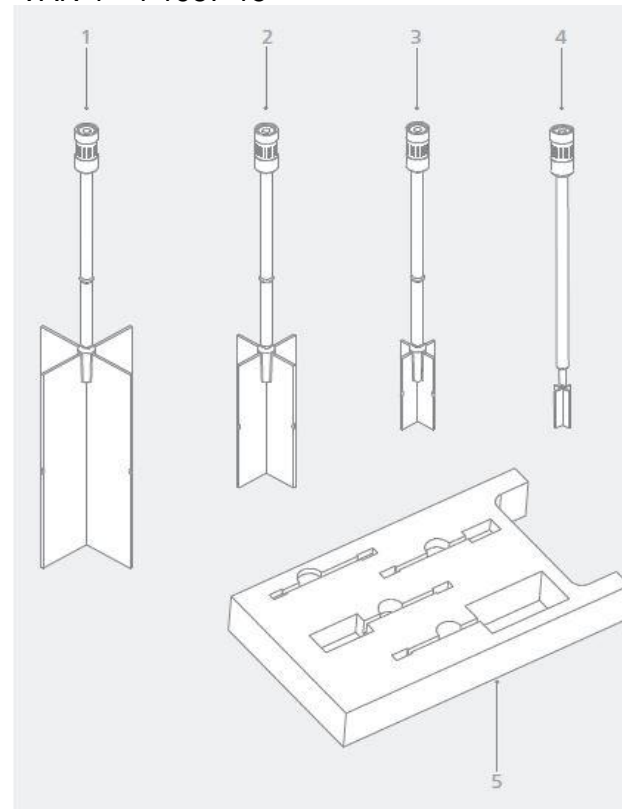
- | | |
|-------------------------|--------------------------|
| 1 Locating channel asse | 6 Water jacket |
| 2 Clamping collar ELVA | 7 Sample chamber ELVAS-C |
| 3 Spindle ELVAS-SP | 8 Chamber cap ELVAS-CC-1 |
| 4 Bracket | 9 Carrying case |
| 5 O-ring | |

4-1987-14
VOLS-1



- | | |
|--------------------------------|--|
| 1 Locating channel asse | 6 Sample chamber VOL-C-RTD-1 (RTD温度センサー含む) |
| 2 Chamber cover VOLS. | 7 Carrying case |
| 3 Extension connector VOLS1.11 | |
| 4 Spindle VOL-SP-6.7 | |
| 5 Water jacket VOLS 1.2 | |

4-1987-15
VAN-1 4-1987-15



- | | |
|--------------------|--------------------|
| 1 Spindle VAN-SP-1 | 4 Spindle VAN-SP-4 |
| 2 Spindle VAN-SP-2 | 5 Carrying case |
| 3 Spindle VAN-SP-3 | |