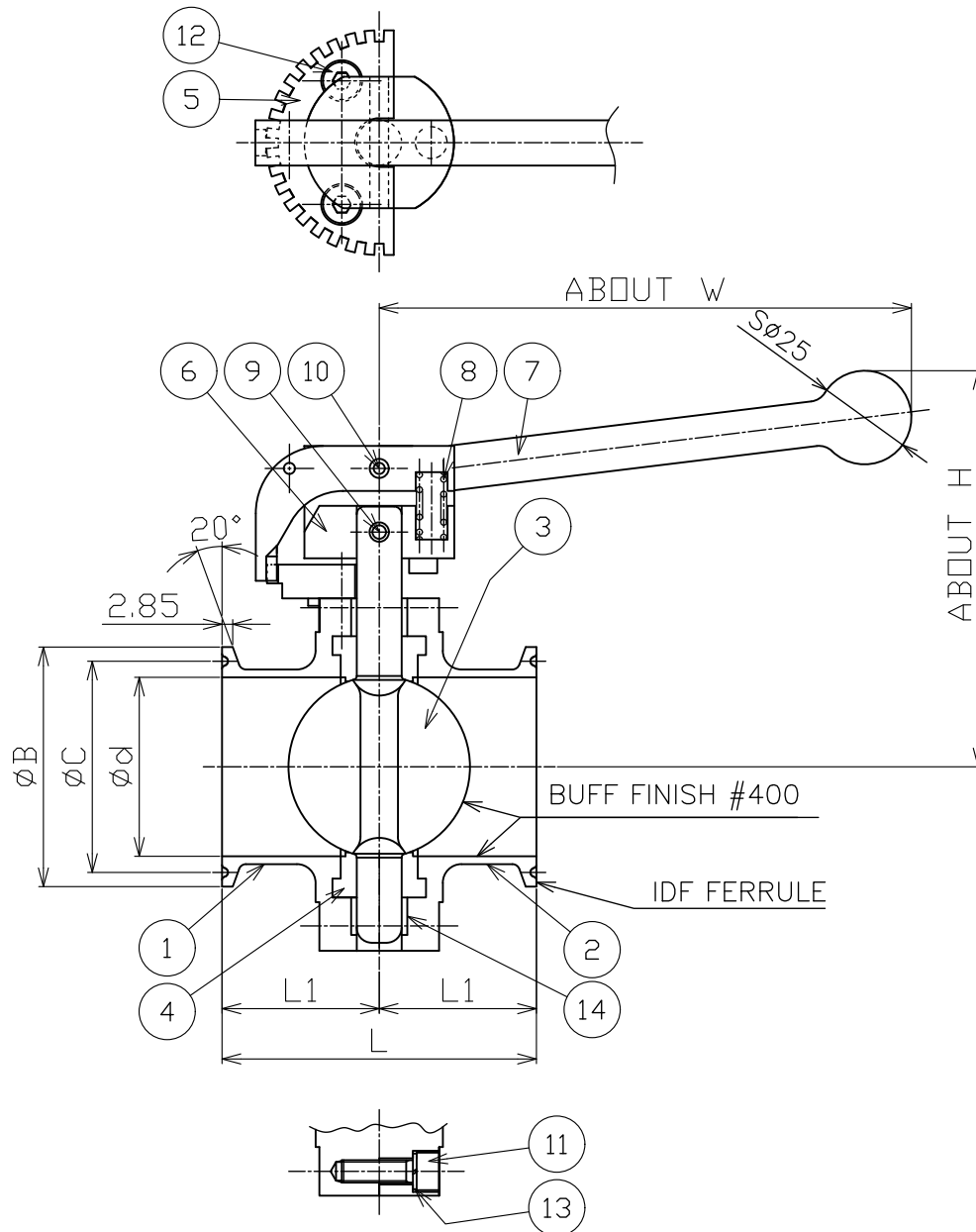




REV.	DATE	DESCRIPTION	DR'N	APPV'D
◇	MAR.11.'20	CHANGE	T.KADO	S.NAITOH



SIZE	d	B	C	L	L1	◇H	◇W	WEIGHT (kg)	Q'ty
1S	23.0	50.5	43.5	84	42	89	143	1.6	
1.5S	35.7	50.5	43.5	84	42	96	143	1.7	
2S	47.8	64.0	56.4	84	42	102	143	2.0	
2.5S	59.5	77.5	70.5	100	50	110	143	2.6	
3S	72.3	91.0	83.5	100	50	123	191	3.2	

14	BEARLING	PTFE	2	
13	SPRING WASHER	SUS304	1SET	
12	HEX. SOCKET HEAD CAP SCREW	SUS304	2	
11	HEX. SOCKET HEAD CAP SCREW	SUS304	1SET	
10	SPRING PIN	SUS304	1	
9	SPRING PIN	SUS304	1	
8	SPRING	SUS304	1	
7	HANDLE	SCS13	1	
6	HANDLE SLEEVE	SCS13	1	
5	NOTCH PLATE	SCS13	1	
4	SEAT RING	SILICONE RUBBER	1	
3	DISC	SCS16 OR SUSF316L	1	
2	BODY-FO	SCS16 OR SUSF316L	1	
1	BODY-F	SCS16 OR SUSF316L	1	
No.	PARTS NAME	MAT'L	Q'ty	REMARKS

DWG. NAME	SANITARY BUTTERFLY VALVE	DESCRIPTION	
TYPE	CBS-FS3-()	SCALE	FREE
		DATE	FEB.07.2013
DWG No.	CBD-20130304A-1	APPV'D	Y.SAITOH
		CHK'D	T.TAKAHASHI
CONSUSS CORPORATION		DR'N	Y.SAITOH