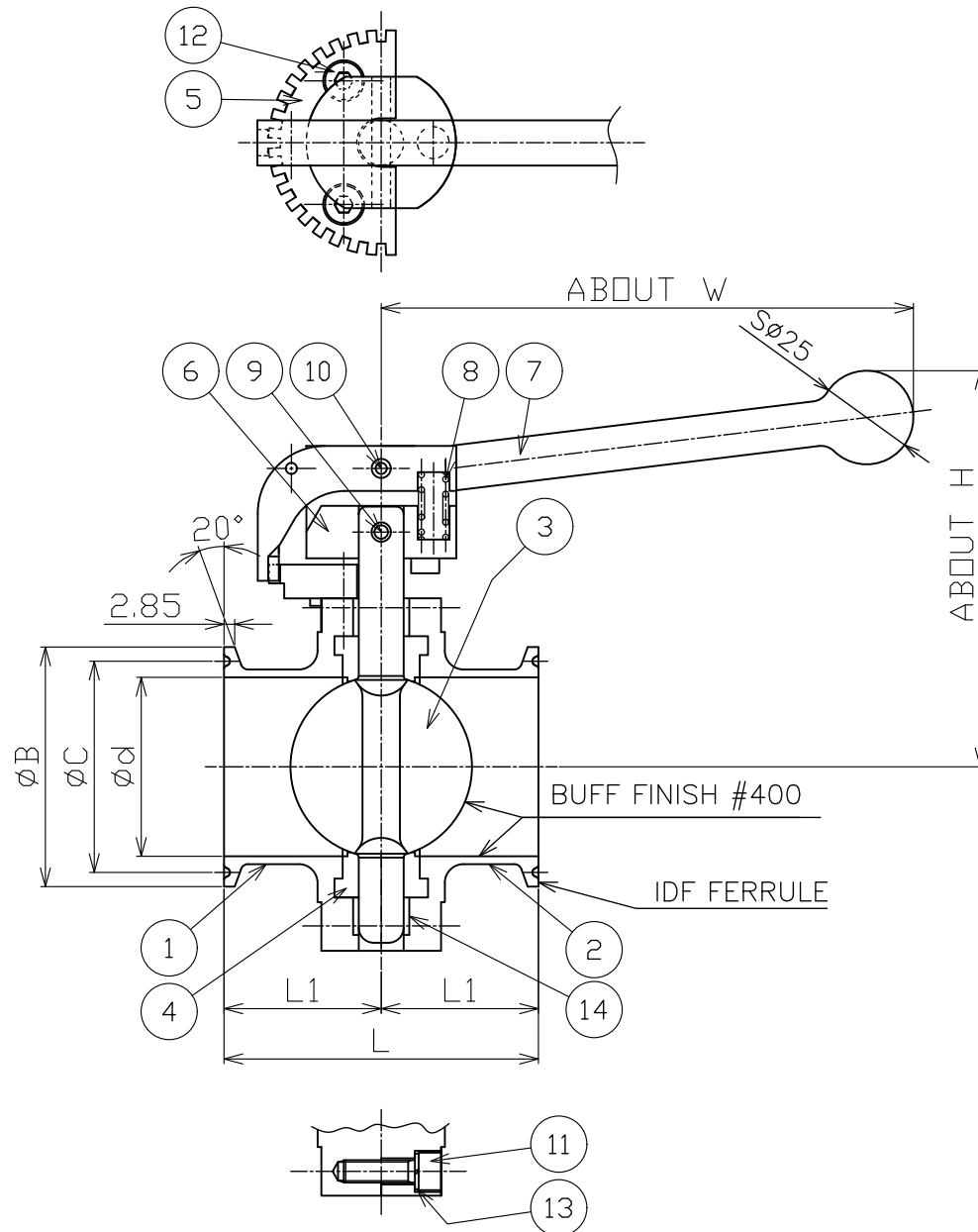




REV.	DATE	DESCRIPTION	DR'N	APPV'D
◇	JUL.07.08	ADD. & REVISE	R.OSAKA	Y.SAITOH
◇	APL.25.19	DELETE	Y.NAKATSU	Y.SAITOH
◇	MAR.11.20	CHANGE	T.KADO	S.NAITOH

SIZE	d	B	C	L	L1	◇H	◇W	WEIGHT (kg)	Q'ty
1S	23.0	50.5	43.5	84	42	89	143	1.6	
1.5S	35.7	50.5	43.5	84	42	96	143	1.7	
2S	47.8	64.0	56.4	84	42	102	143	2.0	



14	BEARLING	PTFE	2	
13	SPRING WASHER	SUS304	1SET	
12	HEX. SOCKET HEAD CAP SCREW	SUS304	2	
11	HEX. SOCKET HEAD CAP SCREW	SUS304	1SET	
10	SPRING PIN	SUS304	1	
9	SPRING PIN	SUS304	1	
8	SPRING	SUS304	1	
7	HANDLE	SCS13	1	
6	HANDLE SLEEVE	SCS13	1	
5	NOTCH PLATE	SCS13	1	
4	SEAT RING	SILICONE RUBBER	1	
3	DISC	SCS13 OR SUSF304◇	1	
2	BODY-FO	SCS13 OR SUSF304◇	1	
1	BODY-F	SCS13 OR SUSF304◇	1	
No.	PARTS NAME	MAT'L	Q'ty	REMARKS

DWG. NAME	SANITARY BUTTERFLY VALVE	DESCRIPTION	
TYPE	CBS-FS1-()	SCALE	FREE
		DATE	APL.25.2019
DWG No.	CBD-20130505A-3	APPV'D	S.NAITO
		CHK'D	Y.SAITO
CONSUSS CORPORATION		DR'N	Y.NAKATSU

