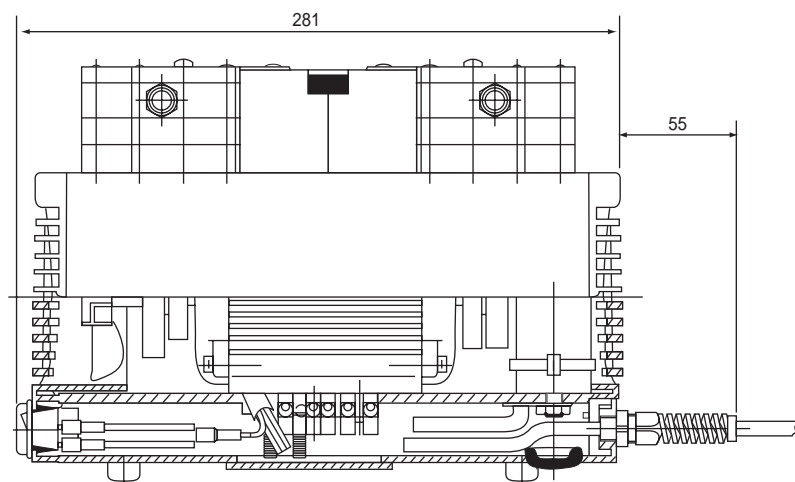


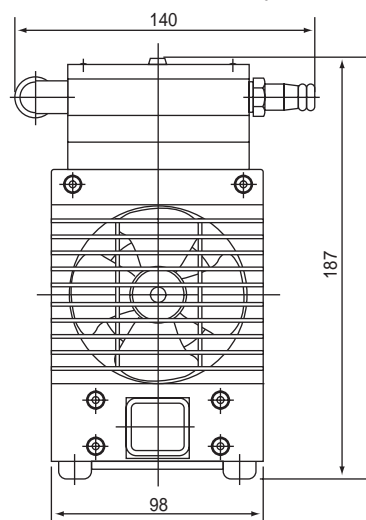
# ダイヤフラム式真空ポンプ

## 外形寸法図

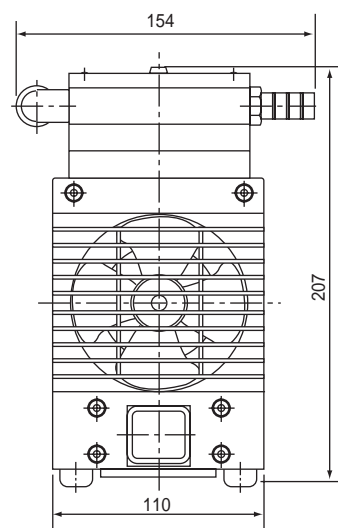
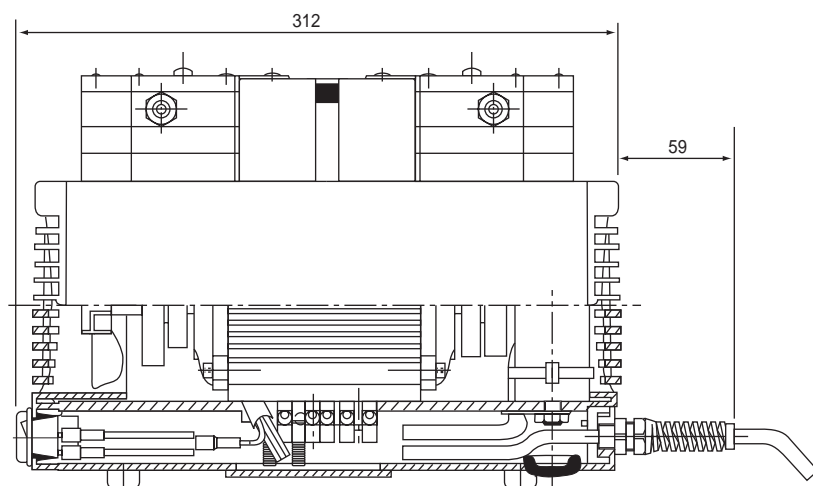
<1-4043-01>



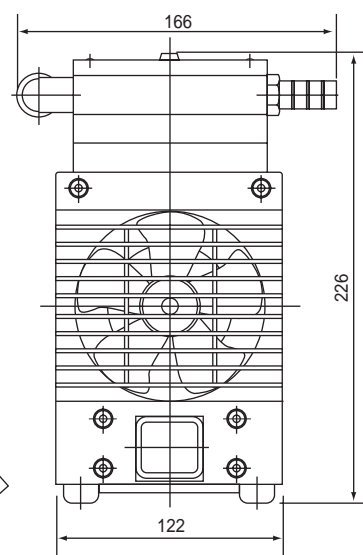
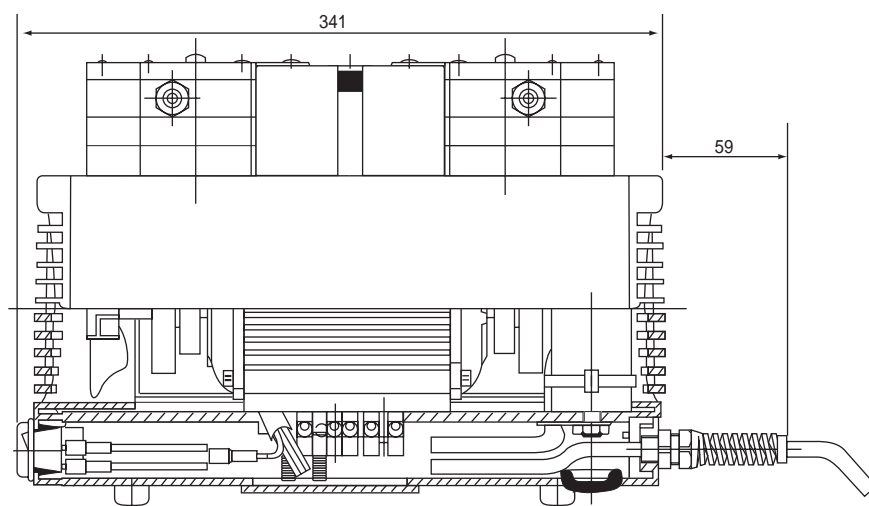
(単位: mm)



<1-4043-02>

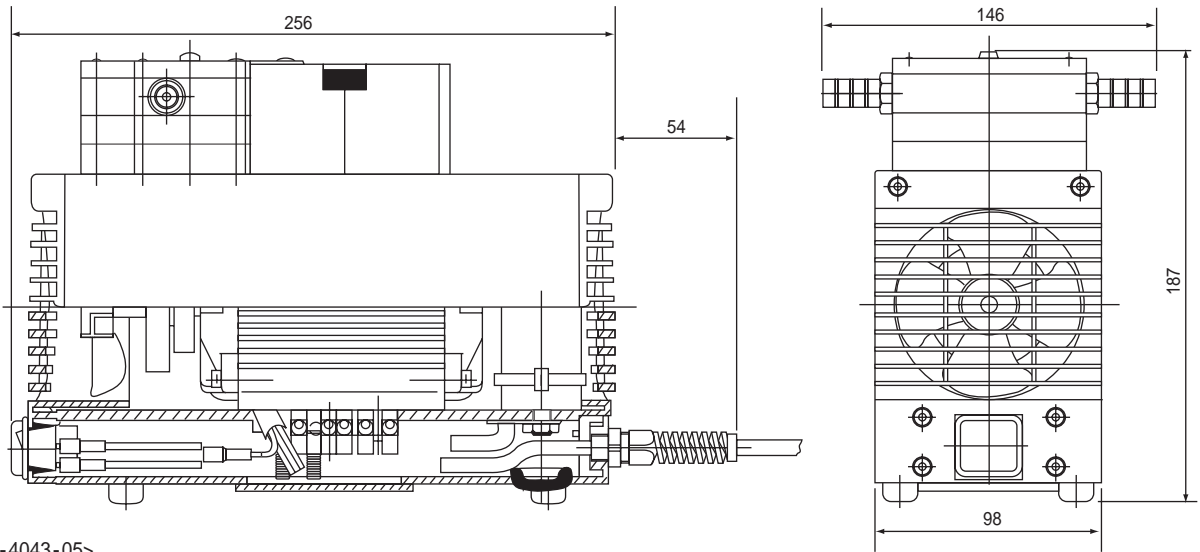


<1-4043-03>

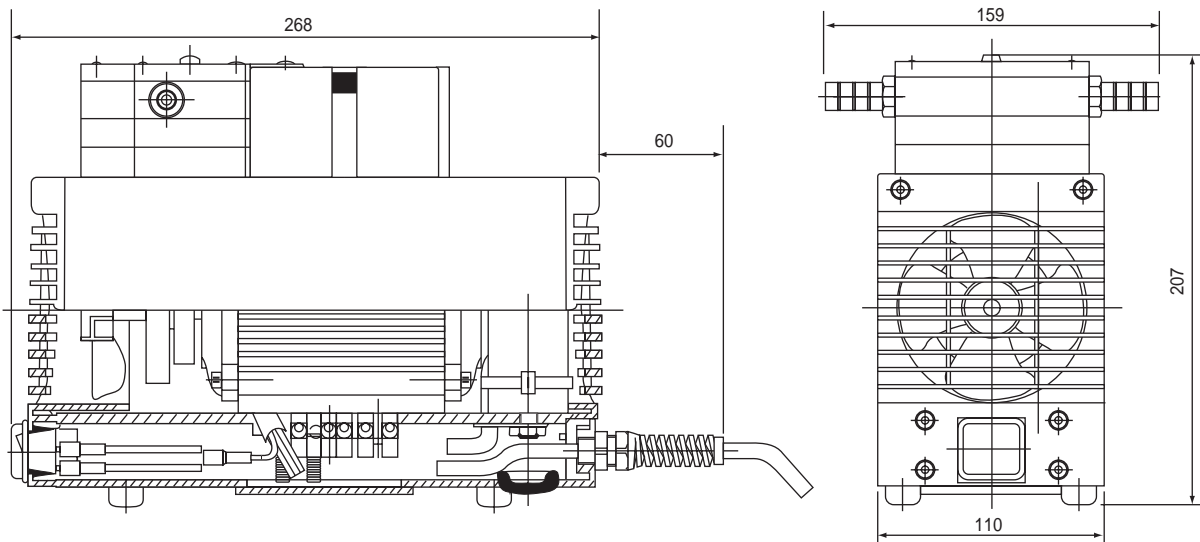


<1-4043-04>

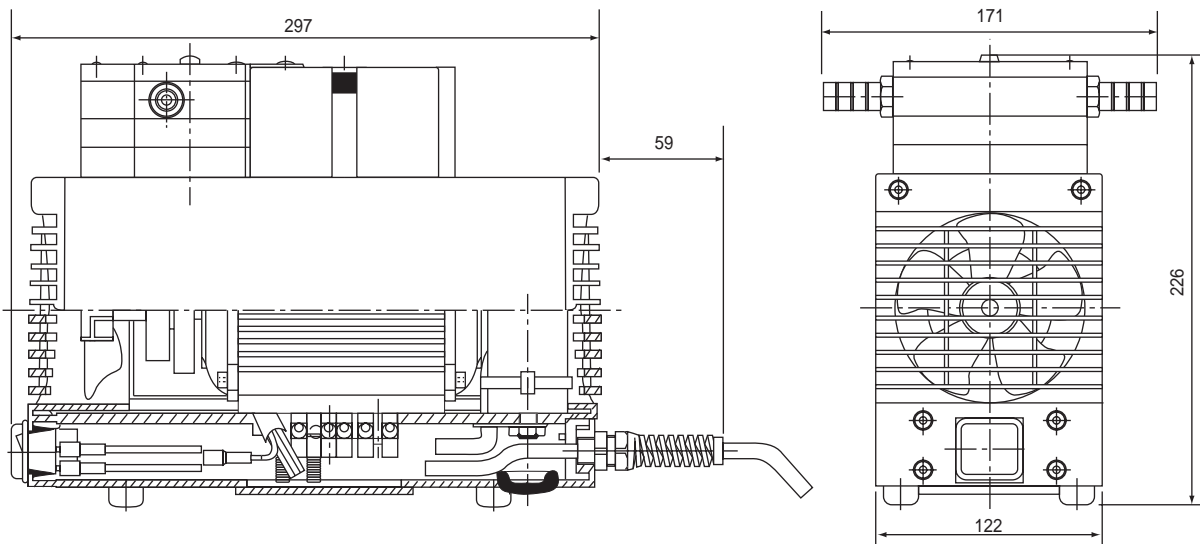
( 単位 : mm )



<1-4043-05>

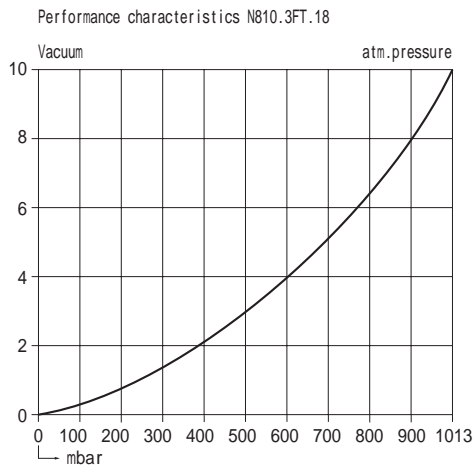


<1-4043-06>

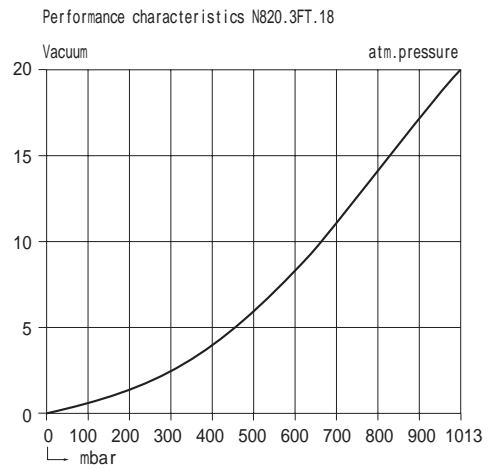


# 流量曲線

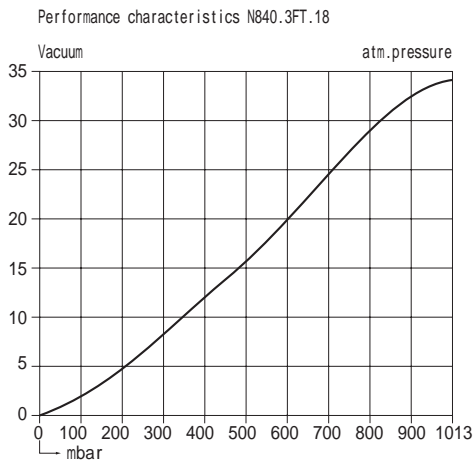
<1-4043-01>



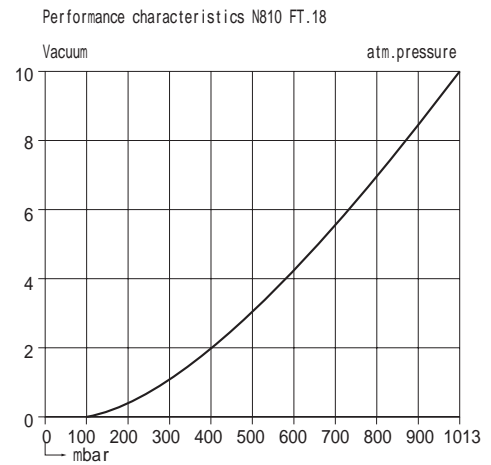
<1-4043-02>



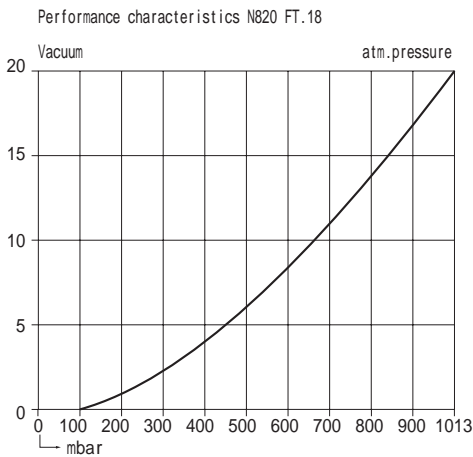
<1-4043-03>



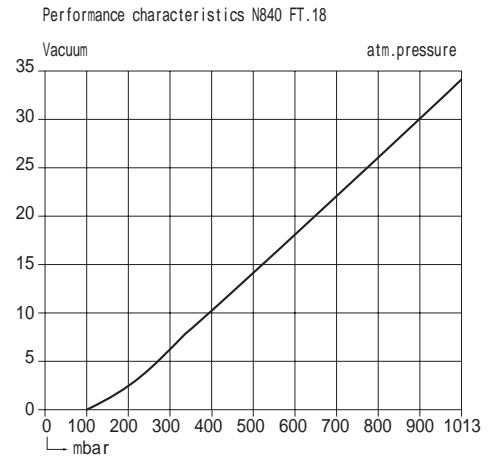
<1-4043-04>



<1-4043-05>



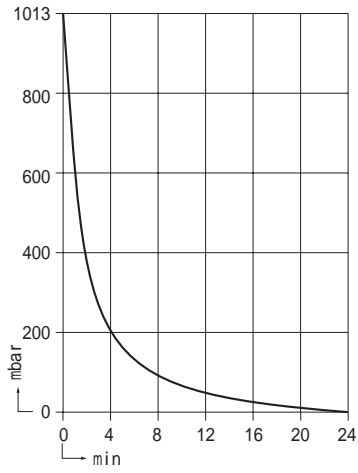
<1-4043-06>



# 真空到達性能

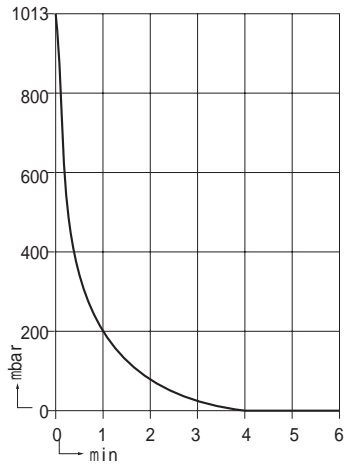
<1-4043-01>

Pump down time for 10 l receiver



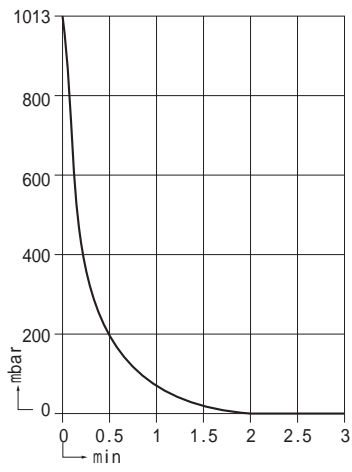
<1-4043-02>

Pump down time for 10 l receiver



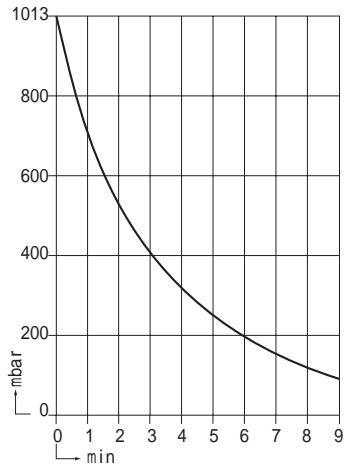
<1-4043-03>

Pump down time for 10 l receiver



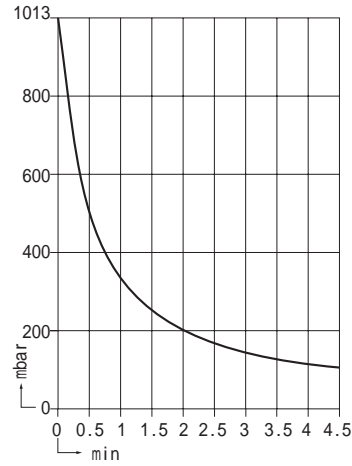
<1-4043-04>

Pump down time for 10 l receiver



<1-4043-05>

Pump down time for 10 l receiver



<1-4043-06>

Pump down time for 10 l receiver

