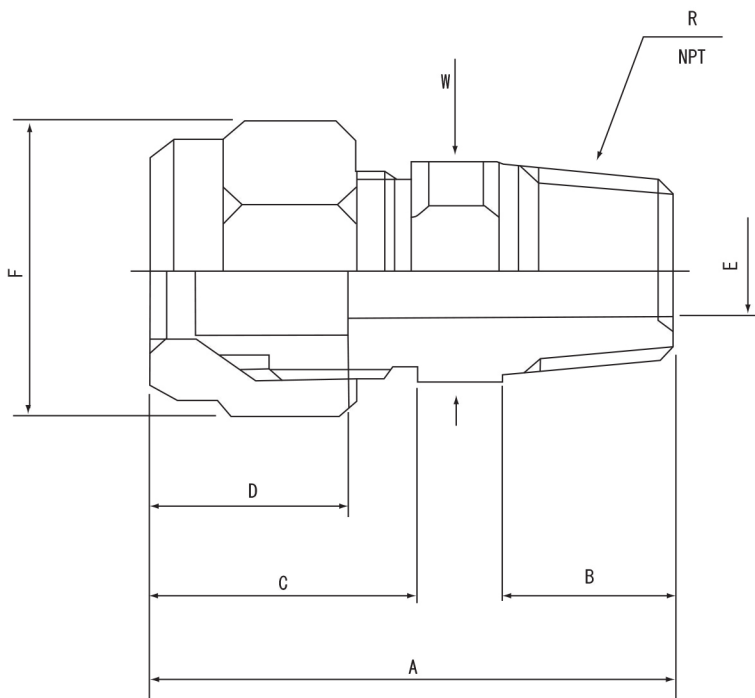


■外形寸法図



(単位 : mm)

品番	型番	A	B	C	D	E	F	W	R
-01	30-3MCT2-C	24	9	9	5	2	8	10	R1/8
-02	30-3MCT4-C	28	13					14	R1/4
-03	30-6MCT2-C	29	9	14	10	4	12	10	R1/8
-04	30-6MCT4-C	33	13					14	R1/4
-05	30-6MCT6-C							17	R3/8
-06	30-6MCT8-C	38	17					22	R1/2
-07	30-10MCT6-C	40	13	21	16	8	22	17	R3/8
-08	30-10MCT8-C	43	17					22	R1/2
-09	30-12.7MCT8-C	49		19	25	18	10	26	22
-10	30-12.7MCT12-C	52	27						R3/4