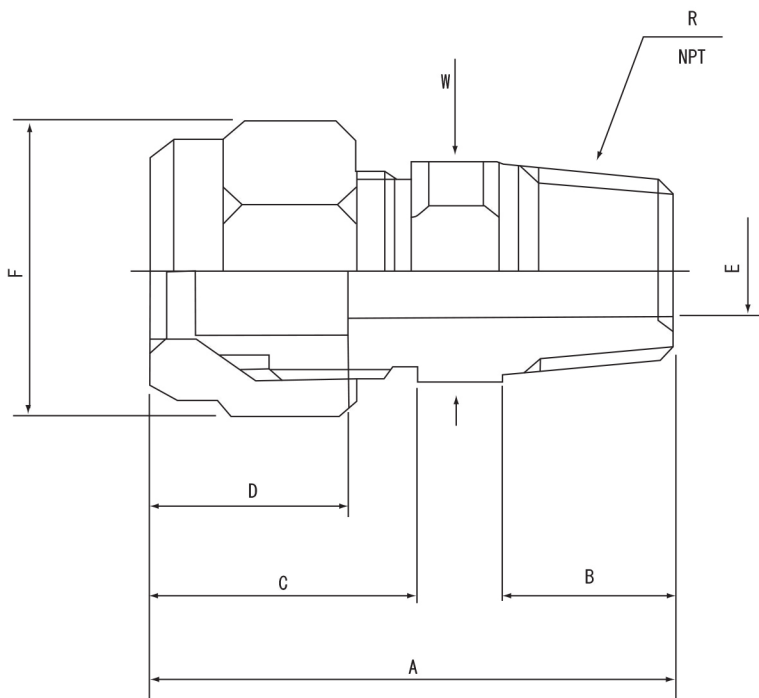


■外形寸法図



(単位 : mm)

品番	型番	A	B	C	D	E	F	W	R
-01	30-3MC2-C	24	9	9	5	2	8	10	R1/8
-02	30-3MC4-C	28	13					14	R1/4
-03	30-6MC2-C	29	9	14	10	4	12	10	R1/8
-04	30-6MC4-C	33	13					14	R1/4
-05	30-6MC6-C							17	R3/8
-06	30-6MC8-C	38	17					22	R1/2
-07	30-10MC2-C	36	9	21	16	6	22	17	R1/8
-08	30-10MC4-C	40	13					21	R1/4
-09	30-10MC6-C							8	R3/8
-10	30-10MC8-C	43	17					22	R1/2
-11	30-12.7MC4-C	45	13	25	18	6	26	19	R1/4
-12	30-12.7MC6-C					8		R3/8	
-13	30-12.7MC8-C	49	17			10		22	R1/2
-14	30-12.7MC12-C	52	19			27		R3/4	